



GB & RCB Series Industrial SPEC-grade™ ALLOY STEEL Rigid Conduit Bushings Manufactured in the USA

Set Screw, Threaded or Threadless with Insulated Throat
With and Without Optional Ground Lug

Furnished with 3 Pre-Drilled Holes and Set Screws

Unique Design Allows Ease of Installation and Orientation of Set Screw & Ground Lugs

Solid Alloy Steel with Our AMFICO Full Hex Nut Design Permits Industrial Grade Torque without Damage to Pipe

Solid Machined Alloy Steel with an Option of Zinc Plated or Galvanized Plated

Superior Life & Performance Over Die Cast & Malleable Iron Products

Furnished with UL Component Temperature Rated 150°C Insulated Throat

Available with Option of Aluminum (Standard) Ground Lug or Copper Ground Lug

NO "Gimmick" Features,
Simply the BEST and
STRONGEST Fittings Manufactured

Precision Cut, Fully Machined Threads,
GRIP TIGHT & RIGHT

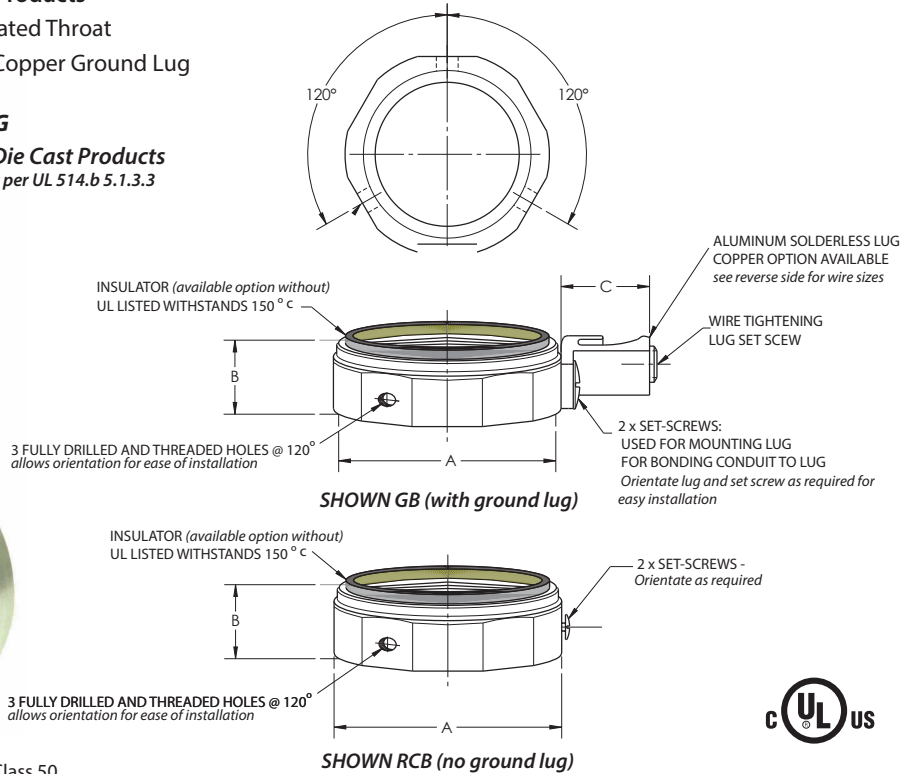
NEVER CRACK ANOTHER BUSHING

TWICE the Tensile Strength & Brinell Hardness of Die Cast Products
Zinc Plated Certified at over 600 hrs Direct Saltwater Spray Test per UL 514.b 5.1.3.3



Rigid Conduit Bushing
With Ground Lug
GB Series

Rigid Conduit Bushing
Without Ground Lug
RCB Series



Galvanized Plating Option

Mechanically Galvanized Plating Option Available To ASTM 3695-Class 50
Guaranteed Performance Criteria in Harsh Environments such as Below Grade Work
* Add Suffix "G" to Catalog Number for Galvanized Plated Part example; GB50BGL-G

ALL PRODUCTS Have a 100% LIFETIME Product WARRANTY

GB Product Series WITH Grounding Lugs				SPEC-grade™		RCB Product Series WITHOUT Grounding Lug		
Catalog Number*	TRADE SIZE	A Outside Diameter "	B Overall Length "	C Length of Lug "	Catalog Number*	TRADE SIZE	A Outside Diameter "	B Overall Length "
GB 50BGL	1/2"	1.06	.63	.75	RCB 50B	1/2"	1.06	.63
GB 75BGL	3/4"	1.22	.63	.75	RCB 75B	3/4"	1.22	.63
GB 100BGL	1"	1.50	.75	.75	RCB 100B	1"	1.50	.75
GB 125BGL	1-1/4"	1.88	.78	.75	RCB 125B	1-1/4"	1.88	.78
GB 150BGL	1-1/2"	2.16	.78	.75	RCB 150B	1-1/2"	2.16	.78
GB 200BGL	2"	2.16	.78	.75	RCB 200B	2"	2.16	.78
GB 250BGL	2-1/2"	3.39	1.05	1.10	RCB 250B	2-1/2"	3.39	1.05
GB 300BGL	3"	4.00	1.05	1.10	RCB 300B	3"	4.00	1.05
GB 350BGL	3-1/2"	4.57	1.05	1.10	RCB 350B	3-1/2"	4.57	1.05
GB 400BGL	4"	5.10	1.05	1.70	RCB 400B	4"	5.10	1.05

Full Product Series with Available Options Shown on Reverse Side



Conduit Bushings Industrial SPEC-grade™ ALLOY STEEL Bushings GB and RCB Series Manufactured in the USA

Set Screw, Threaded or Threadless with Insulated Throat

Available With or Without Optional Ground Lug

Furnished with 3 Pre-Drilled Holes and Set Screws

Unique Design Allows Ease of Installation and Orientation of Set Screw & Ground Lugs

Unique and Exclusive AMFICO Hex Nut Design Permits Industrial Grade Torque - **Locks Tight & Right**

Machined Alloy Steel - Zinc Plated or Galvanized Plated Product Options

Superior Life & Performance Over Zinc Die Cast & Malleable Iron Products

Furnished with UL Component Temperature Rated 150°C Insulated Throat

Available with Aluminum (Standard) Ground Lug or Optional Copper (CU) Ground Lug



RCB Series furnished Without Ground Lug

NEVER CRACK ANOTHER BUSHING
TWICE the Tensile Strength & Brinell Hardness of Die Cast Products
And Malleable Iron Bushings

Product Options for AMFICO SPEC-grade™ STEEL USA Grounding Bushings & RCB Series

Trade Size	Material	Plating Options* 1.	Configurations 2.	Insulated Throat Option 3.	GB Series Only		
					Lug Options 4.	Lug Material Options 5.	Wire Range Lug Size Options 6.
1/2"	Solid Alloy Steel	Z or G	T - NT	Y	Y	AL - CU	#14 - #4
3/4"	Solid Alloy Steel	Z or G	T - NT	Y	Y	AL - CU	#14 - #4 #8 - 1/0
1"	Solid Alloy Steel	Z or G	T - NT	Y	Y	AL - CU	#14 - #4 #8 - 1/0
1 1/4"	Solid Alloy Steel	Z or G	T - NT	Y	Y	AL - CU	#14 - #4 #8 - 1/0
1 1/2"	Solid Alloy Steel	Z or G	T - NT	Y	Y	AL - CU	#14 - #4 #8 - 1/0
2"	Solid Alloy Steel	Z or G	T - NT	Y	Y	AL - CU	#14 - #4 #8 - 1/0
2 1/2"	Solid Alloy Steel	Z or G	T - NT	Y	Y	AL - CU	#14-1/0 #6-250mcm
3"	Solid Alloy Steel	Z or G	T - NT	Y	Y	AL - CU	#14-1/0 #6-250mcm
3 1/2"	Solid Alloy Steel	Z or G	T - NT	Y	Y	AL - CU	#14-1/0 #6-250mcm
4"	Solid Alloy Steel	Z or G	T - NT	Y	Y	AL - CU	#14-1/0 #6-250mcm

Product Options Offered

1. Z = Zinc or G = Galvanized
2. T = Threaded or NT = Threadless (No Threads Furnished with Set Screws)
3. Insulated Throat (Standard) Available Option for Non-Insulated Throat - Check NEC to Determine Requirement
4. Bushings Available with or Without Ground Lug - not applicable to RCB Series
5. Ground Lug Material Options AL = Aluminum Lug in Sizes Shown or CU = Copper Lug in Sizes Shown
6. For Lug Sizes Not Shown, Consult Factory

Ground Bushings Are Furnished with an Insulated Throat Unless Specified Otherwise



NO "SPLITTING GIMMICKS"! OUR FEATURES...SIMPLY THE BEST & STRONGEST BUSHING MANUFACTURED

For Full Catalog Numbers Go online: to amftgs.com

Or Consult Factory