



GB & RCB Series Industrial SPEC-grade™ ALLOY STEEL Bushings Manufactured in the USA

Set Screw, Threaded or Threadless with Insulated Throat *
With and Without Optional Ground Lug *

Furnished with 3 Pre-Drilled Holes and Set Screws
Unique Design Allows Ease of Installation and Orientation of Set Screw & Ground Lugs
Solid Alloy Steel with Our AMFICO Full Hex Nut Design Permits Industrial Grade Torque without Damage to Pipe
Solid Machined Alloy Steel with an Option of Zinc Plated or Galvanized Plated
Superior Life & Performance Over Die Cast & Malleable Iron Products
Furnished with UL Component Temperature Rated 150°C Insulated Throat
Available with Option of Aluminum (Standard) Ground Lug or Copper Ground Lug *

NO "Gimmick" Features,
Simply the BEST and
STRONGEST Fittings Manufactured

Precision Cut, Fully Machined Threads,
GRIP TIGHT & RIGHT

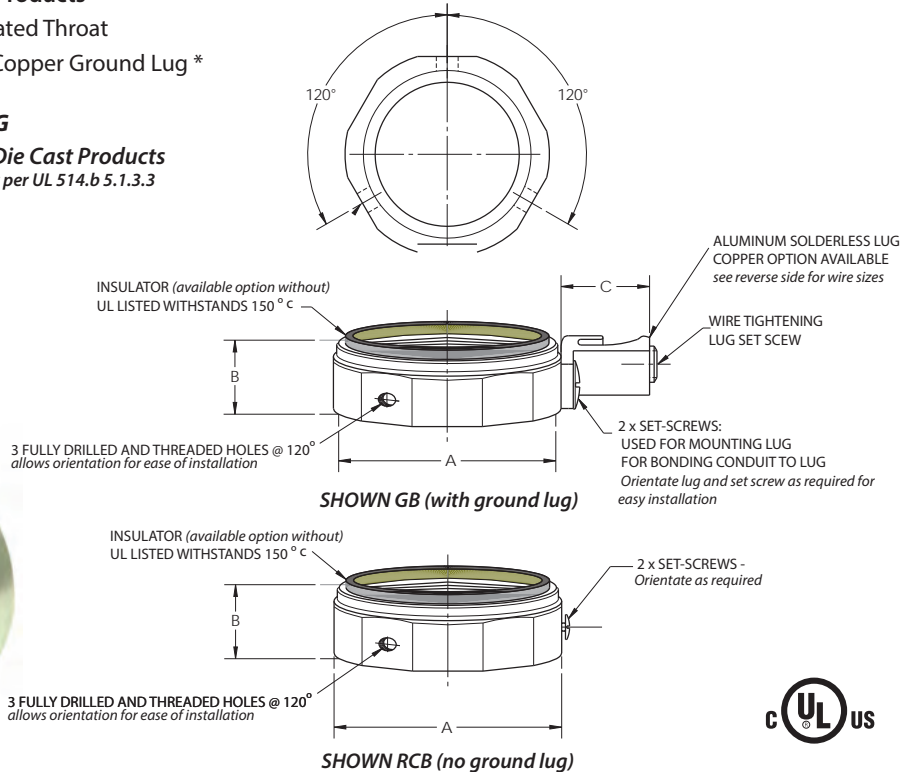
NEVER CRACK ANOTHER BUSHING

TWICE the Tensile Strength & Brinell Hardness of Die Cast Products
Zinc Plated Certified at over 600 hrs Direct Saltwater Spray Test per UL 514.b 5.1.3.3



Rigid Conduit Bushing
With Ground Lug
GB Series

Rigid Conduit Bushing
Without Ground Lug
RCB Series



Galvanized Plating Available

Mechanically Galvanized Plating To ASTM 3695-Class 50
Outperforms Hot Dip Galvanized Products
Guaranteed Performance Criteria in Harsh Environments such as Below Grade Work

ALL PRODUCTS Have a 100% LIFETIME Product WARRANTY

GB Product Series WITH Grounding Lugs				SPEC-grade™		RCB Product Series WITHOUT Grounding Lug		
Catalog Number	TRADE SIZE	A Outside Diameter "	B Overall Length "	C Length of Lug "	Catalog Number	TRADE SIZE	A Outside Diameter "	B Overall Length "
GB 50BGL	1/2"	1.06	.63	.75	RCB 50B	1/2"	1.06	.63
GB 75BGL	3/4"	1.22	.63	.75	RCB 75B	3/4"	1.22	.63
GB 100BGL	1"	1.50	.75	.75	RCB 100B	1"	1.50	.75
GB 125BGL	1-1/4"	1.88	.78	.75	RCB 125B	1-1/4"	1.88	.78
GB 150BGL	1-1/2"	2.16	.78	.75	RCB 150B	1-1/2"	2.16	.78
GB 200BGL	2"	2.16	.78	.75	RCB 200B	2"	2.16	.78
GB 250BGL	2-1/2"	3.39	1.05	1.10	RCB 250B	2-1/2"	3.39	1.05
GB 300BGL	3"	4.00	1.05	1.10	RCB 300B	3"	4.00	1.05
GB 350BGL	3-1/2"	4.57	1.05	1.10	RCB 350B	3-1/2"	4.57	1.05
GB 400BGL	4"	5.10	1.05	1.70	RCB 400B	4"	5.10	1.05

* Full Product Series with Available Options Shown on Reverse Side



GB Series Industrial SPEC-grade™ ALLOY STEEL Grounding Bushings Manufactured in the USA

Set Screw, Threaded or Threadless with Insulated Throat
Available With or Without Optional Ground Lug

Furnished with 3 Pre-Drilled Holes and Set Screws
Unique Design Allows Ease of Installation and Orientation of Set Screw & Ground Lugs

Unique and Exclusive AMFICO Hex Nut Design Permits Industrial Grade Torque - **Locks Tight & Right**

Machined Alloy Steel - Zinc Plated or Galvanized Plated Product

Superior Life & Performance Over Zinc Die Cast & Malleable Iron Products

Furnished with UL Component Temperature Rated 150°C Insulated Throat

Available with Aluminum (Standard) Ground Lug or Optional Copper (CU) Ground Lug



NEVER CRACK ANOTHER BUSHING
TWICE the Tensile Strength & Brinell Hardness of Die Cast Products

Product Options for AMFICO SPEC-grade™ STEEL USA Grounding Bushings

Trade Size	Material	Plating Options* 1.	Configurations 2.	Insulated Throat Option 3.	Lug Options 4.	Lug Material Options 5.	Wire Range Lug Size Options 6.
1/2"	Solid Alloy Steel	Z or G	T - NT	Y	Y	AL - CU	#14 - #4
3/4"	Solid Alloy Steel	Z or G	T - NT	Y	Y	AL - CU	#14 - #4 #8 - 1/0
1"	Solid Alloy Steel	Z or G	T - NT	Y	Y	AL - CU	#14 - #4 #8 - 1/0
1 1/4"	Solid Alloy Steel	Z or G	T - NT	Y	Y	AL - CU	#14 - #4 #8 - 1/0
1 1/2"	Solid Alloy Steel	Z or G	T - NT	Y	Y	AL - CU	#14 - #4 #8 - 1/0
2"	Solid Alloy Steel	Z or G	T - NT	Y	Y	AL - CU	#14 - #4 #8 - 1/0
2 1/2"	Solid Alloy Steel	Z or G	T - NT	Y	Y	AL - CU	#14-1/0 #6-250mcm
3"	Solid Alloy Steel	Z or G	T - NT	Y	Y	AL - CU	#14-1/0 #6-250mcm
3 1/2"	Solid Alloy Steel	Z or G	T - NT	Y	Y	AL - CU	#14-1/0 #6-250mcm
4"	Solid Alloy Steel	Z or G	T - NT	Y	Y	AL - CU	#14-1/0 #6-250mcm

Product Options Offered

1. Z = Zinc or G = Galvanized *Standard In-Stock Product is Zinc Plated
2. T = Threaded or NT = Threadless (No Threads Furnished with Set Screws)
3. Insulated Throat (Standard) Available Option for Non-Insulated Throat -Check NEC to Determine Requirement
4. Bushings Available with or Without Ground Lug
5. Ground Lug Material Options AL = Aluminum Lug in Sizes Shown or CU = Copper Lug in Sizes Shown
6. For Lug Sizes Not Shown, Consult Factory

Ground Bushings Are Furnished with an Insulated Throat Unless Specified Otherwise



NO "SPLITTING GIMMICKS"! OUR FEATURES...SIMPLY THE BEST & STRONGEST BUSHING MANUFACTURED

For Full Catalog Numbers Go online: to amftgs.com
Or Consult Factory