

AMERICAN FITTINGS

2-1/2" to 4" Rain TIGHT Connectors Compression UL Rated & Listed for Dual Use on EMT & Rigid/IMC Conduit



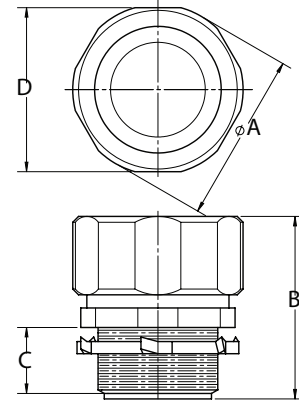
Since 1946

ERC RT Series: 2 1/2" to 4" Trade Sizes
EMT & Rigid/IMC Conduit Dual Rated Rain TIGHT Compression Fittings
UL Listed & UL Approved Dual Use on EMT & Rigid/IMC Conduit

This Product Replaces 2-1/2" to 4" EC and NT Series Fittings

Alloy Steel Construction Precision Machined
Zinc Plated with Clear Chromate Finish
Features: AMFICO's **EZ Torque** Compression Nuts
Furnished with an Industrial Grade Steel Locknut and
Sealing Washer

Rain TIGHT Series Furnished
with Gold Tone Notes for
Easy Identification



**Twice the Strength and Brinell Hardness
of Malleable Iron Fittings
with 1/3 the Weight
Greatly Reduces Hanging Loads**

Improves Installation Time

**Unique Low Profile Design
Allows Greater Installation Space
Conforms to Conduit OD**

Guaranteed Rain TIGHT



Trade Size"	Cat #	Rain TIGHT Configuration	Box Qty.	Weight Each lbs	NAED UPC
2 1/2	ERC250BCONNRT	Compression Connector w/Insul Throat	5	1.2	66236405812
2 1/2	ERC250CONNRT	Compression Connector	5	1.2	66236405804
3	ERC300BCONNRT	Compression Connector w/Insul Throat	3	1.7	66236405813
3	ERC300CONNRT	Compression Connector	3	1.7	66236405805
3 1/2	ERC350BCONNRT	Compression Connector	3	2.0	66236405814
3 1/2	ERC350CONNRT	Compression Connector	3	2.0	66236405806
4	ERC400BCONNRT	Compression Connector w/Insul Throat	2	2.4	66236405815
4	ERC400CONNRT	Compression Connector	2	2.4	66236405807

Compliances:

Certified Made in the USA
UL 514B UL Listed Rain Tight
Compression Fittings Concrete Tight
Suitable for Direct Burial
NEMA Standard FB1
Federal Standard A-A-50553
UL Standards: 514B, 467
Certified for MIL-STD 810 Sinusoidal Vibrations
CSA Standard: C22.2 No. 18F
RoHS Compliant
REACH Compliant
CA Prop 65 Compliant
UNSPSC 39121311



Available Options:

Insulated Throat - (Shown Above "B")
Galvanized Plating **
Painted Fittings Color Coded **

Dimensions

Size	A	B	C	D
2-1/2"	3-7/16"	3-1/8"	1"	3-1/4"
3"	4"	3-3/16"	1"	3-15/16"
3-1/2"	4-9/16"	3-3/16"	1"	4-7/16"
4"	5-1/8"	3-3/16"	1"	4-15/16"

** Consult Factory for Specifics

Page

AMERICAN FITTINGS

2-1/2" to 4" Rain TIGHT Couplings Compression UL Rated & Listed for Dual Use on EMT & Rigid/IMC Conduit



Since 1946

ERC RT Series: 2 1/2" to 4" Trade Sizes
EMT & Rigid/IMC Conduit Dual Rated Rain TIGHT Compression Fittings
UL Listed & UL Approved Dual Use on EMT & Rigid/IMC Conduit

This Product Replaces 2-1/2" to 4" EC and NT Series Fittings

Alloy Steel Construction Precision Machined
Zinc Plated with Clear Chromate Finish
Features: AMFICO's **EZ Torque** Compression Nuts

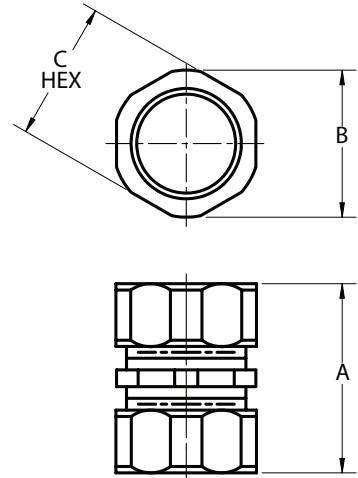
**Twice the Strength and Brinell Hardness
of Malleable Iron Fittings
with 1/3 the Weight
Greatly Reduces Hanging Loads**

Improves Installation Time

**Unique Low Profile Design
Allows Greater Installation Space
Conforms to Conduit OD**

Guaranteed Rain TIGHT

*Rain TIGHT Series Furnished
with Gold Tone Notes for
Easy Identification*



Trade Size"	Cat #	Rain TIGHT Configuration	Box Qty.	Weight Each lbs	NAED UPC
2 1/2	ERC250CPLGRT	Compression Coupling	5	1.4	66236405836
3	ERC300CPLGRT	Compression Coupling	3	1.7	66236405837
3 1/2	ERC350CPLGRT	Compression Coupling	3	2.0	66236405838
4	ERC400CPLGRT	Compression Coupling	2	2.4	66236405839

Compliances:

Certified Made in the USA
UL 514B UL Listed Rain Tight
Compression Fittings Concrete Tight
Suitable for Direct Burial **
NEMA Standard FB1
Federal Standard A-A-50553
UL Standards: 514B, 467
Certified for MIL-STD 810 Sinusoidal Vibrations
CSA Standard: C22.2 No. 18F
RoHS Compliant
REACH Compliant
CA Prop 65 Compliant
UNSPSC 39121311



Available Options:

* Galvanized Plating **
Painted Fittings Color Coded **

Dimensions

Size	A	B	C
2-1/2"	3-5/8"	3-7/16"	3-1/4"
3"	3-11/16"	4"	3-15/16"
3-1/2"	3-5/8"	4-9/16"	4-7/16"
4"	3-5/8"	5-1/8"	4-15/16"

** Consult Factory for Specifics

Page