

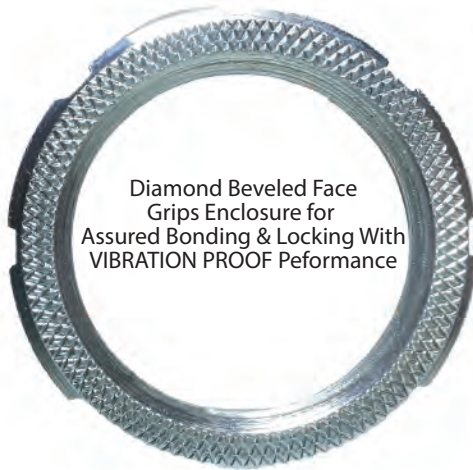
AMERICAN FITTINGS

Industrial Grade HDI Series Alloy Steel Bonding LOCKnuts



Since 1946

Size Range: 1/2" - 4"



Diamond Beveled Face
Grips Enclosure for
Assured Bonding & Locking With
VIBRATION PROOF Performance

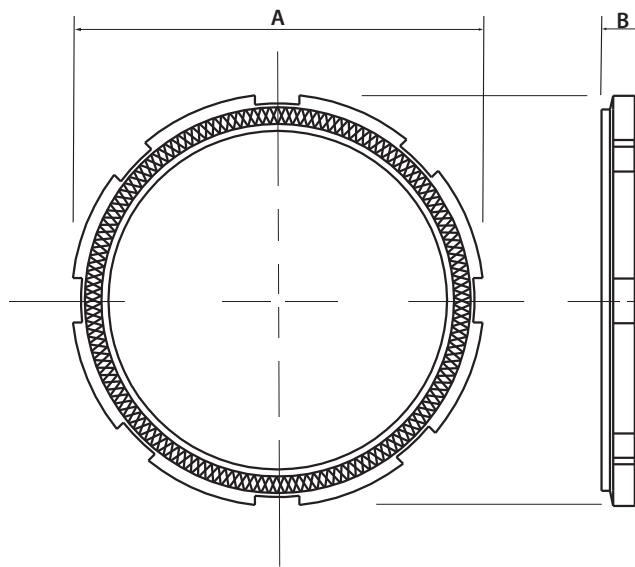
AMFICO Industrial **SPEC-grade**[™] Alloy Steel Bonding LOCKnuts

Material:

Alloy Steel - Precision Machined from Bar Stock
Electro Zinc Plated with Chromate Finish
Galvanized Plating Option Available

Compliances:

Certified Made in the USA
UL 514B
NEMA Standard FB1
Federal Standard A-A-50553
UL Standards: 514B, 467
RoHS Compliant



Precision Machined from Alloy Steel Bar Stock
You Can Fully Torque
It Will NEVER Crack Nor Deform

HDI Series LOCKnuts

Cat #	Trade Size"	"A"	"B"	Unit Carton	Std Pkg.	WT/100	UPC Code
LN 50HDI	1/2	1.13	.13	200	2000	2	66236401500
LN 75HDI	3/4	1.39	.13	100	1000	4	66236401510
LN100HDI	1	1.69	.17	50	500	6	66236401520
LN125HDI	1 1/4	2.06	.17	50	500	14	66236401530
LN150HDI	1 1/2	2.28	.17	25	250	17	66236401540
LN200HDI	2	2.78	.17	25	250	9	66236401550
LN250HDI	2 1/2	3.39	.25	-	30	36	66236401560
LN300HDI	3	4.00	.25	-	25	55	66236401570
LN350HDI	3 1/2	4.56	.25	-	25	78	66236401580
LN400HDI	4	5.09	.25	-	25	101	66236401590

AMERICAN FITTINGS

Industrial SPECgrade Steel LOCKnuts



Since 1946

Size Range: 1/4" - 6"



AMFICO Industrial **SPEC-grade**[™] Steel LOCKnuts

Material:

Steel Construction, Electro Zinc Plated

Compliances:

Certified Made in the USA *

UL 514B *

NEMA Standard FB1

Federal Standard A-A-50553 *

UL Standards: 514B, 467*

RoHS Compliant



AMFICO industrial grade LOCKnuts can be fully tightened,
they will not deform.
Uniform threads assure, they will not vibrate loose.



Industrial Steel LOCKnuts

Cat. # *	Size	Unit Ctn	Std Pkg	WT/ 100
LN25	1/4"	200	2000	1
LN38	3/8"	200	2000	1
LN50	1/2"	200	2000	1
LN75	3/4"	100	1000	2
LN100	1"	50	500	4
LN125	1-1/4"	50	500	7
LN150	1-1/2"	25	250	8
LN200	2"	25	250	9
LN250 *	2 1/2"	-	30	29
LN300 *	3"	-	25	42
LN350 *	3 1/2"	-	25	48
LN400 *	4"	-	25	52
LN500 *	5"	-	10	95
LN600 *	6"	-	10	106

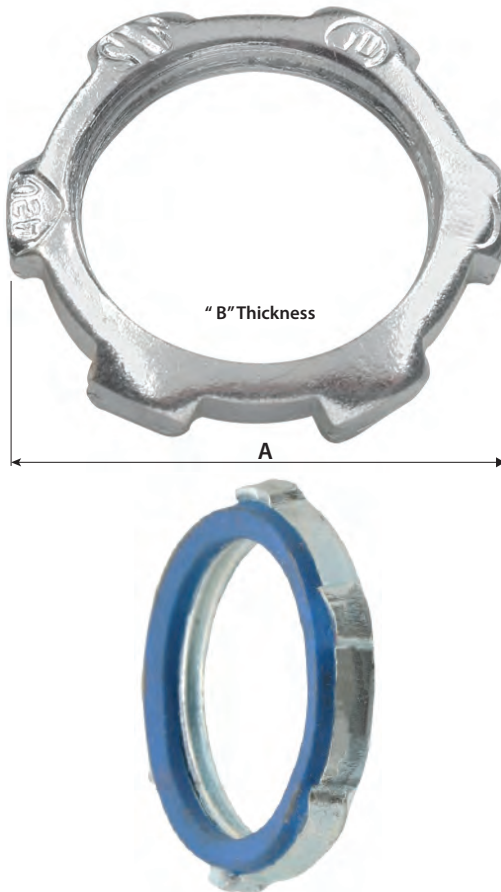
Dimensional Table

Cat. #	A Diameter	B Thickness
LN25	.80	.11
LN38	.98	.12
LN50	1.13	.13
LN75	1.38	.14
LN100	1.72	.18
LN125	2.06	.19
LN150	2.38	.18
LN200	2.89	.19
LN250	3.54	.39
LN300	4.23	.39
LN350	4.75	.39
LN400	5.29	.39
LN500	6.68	.50
LN600	7.34	.56

*Sizes 2 1/2" & Larger are Not UL Listed and Do Not
Compliance of Made in USA or BAA Clauses, When
Required in this Size Range Refer to Our HDI Series.

Size Range: 1/2" - 6"

Rugged Tangs for Extensive Reach & Ensured Bonding



AMFICO Industrial **SPEC-grade**[™] Steel Sealing LOCKnuts PVC Molded Ring

Materials:

Steel, Electro Zinc Plated with PVC Molded Gasket

Superior clean threads for full torque without distortion. Sealing ring will not displace or distort from locknut when fully torqued.

Compliances:

Certified Made in the USA
UL 514B
NEMA Standard FB1
Federal Standard A-A-50553
RoHS Compliant



Sealing Locknuts

Cat. #	Size	Unit Ctn	Std Pkg	WT/ 100
SL1*	1/2"	100	1000	2
SL2*	3/4"	100	1000	3
SL3*	1"	50	500	2
SL4*	1-1/4"	25	250	8
SL5*	1-1/2"	25	250	8
SL6*	2"	10	100	12
SL7	2-1/2"	-	25	20
SL8	3"	-	25	20
SL9	3-1/2"	-	10	24
SL10	4"	-	10	24

* UL & CSA Listed Balance are non-UL.

Dimensional Table

Cat. #	A Diameter	B Thickness
SL1	1.12	.26
SL2	1.37	.27
SL3	1.75	.28
SL4	2.06	.32
SL5	2.37	.32
SL6	2.87	.32
SL7	3.43	.32
SL8	4.12	.32
SL9	4.62	.32
SL10	5.18	.32

Sizes Over 4" Consult Factory

Page 3

AMERICAN FITTINGS

Industrial SPECgrade Grounding LOCKnuts



Since 1946

Size Range: 1/2" - 4"



AMFICO Industrial **SPEC-grade**[™] Grounding **LOCKnuts**

Materials:

Steel Construction Electro Plated Zinc

Compliances:

Complies with UL 514B



This Product Does Not Meet BAA or Buy America Requirements

Solid Steel Screw for Positive Bonding and Ground to Enclosure



Superior Clean Threads for Full Torque
Without Distortion on Rigid Pipe

Grounding LOCKnuts

Cat. #	Trade Size	Unit Ctn	Std Pkg	WT/ 100
GRL50 *	1/2"	100	1000	3
GRL75 *	3/4"	100	1000	3
GRL100 *	1"	50	500	5
GRL125 *	1-1/4"	50	250	6
GRL150 *	1-1/2"	25	250	9
GRL200 *	2"	20	200	14
GRL250	2-1/2"	-	25	16
GRL300	3"	-	20	28
GRL350	3-1/2"	-	10	36
GRL400	4"	-	10	40

*UL & CSA Listed Balance are non-UL.

Dimensional Table

Cat. #	A Diameter	B Thickness
GRL50	1.340	.170
GRL75	1.575	.170
GRL100	1.890	.170
GRL125	2.300	.170
GRL150	2.600	.170
GRL200	3.100	.187
GRL250	3.562	.375
GRL300	4.250	.375
GRL350	4.803	.375
GRL400	5.402	.375