

# AMERICAN FITTINGS

## Industrial Grade HDI Series Alloy Steel Bonding LOCKnuts



Since 1946

Size Range: 1/2" - 4"  
**Locks Tight & Right**

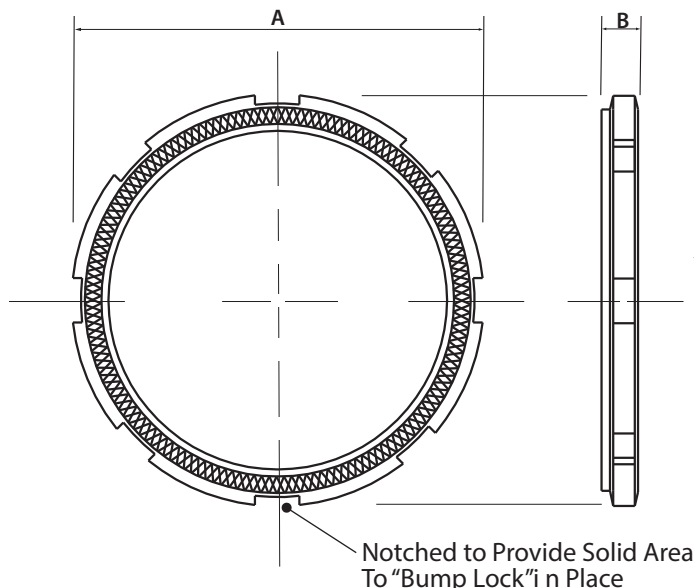


Unique Diamond Beveled Face  
Grips Enclosure for  
Assured Bonding & Locking With  
VIBRATION PROOF Performance

### AMFICO Industrial **SPEC-grade**<sup>™</sup> Alloy Steel Bonding LOCKnuts

**Material:**  
Alloy Steel - Precision Machined from Bar Stock  
Electro Zinc Plated with Chromate Finish  
Galvanized Plating Option Available

**Compliances:**  
Certified Made in the USA  
UL 514B  
NEMA Standard FB1  
Federal Standard A-A-50553  
UL Standards: 514B, 467  
RoHS Compliant



Precision Machined from Alloy Steel Bar Stock  
You Can Fully Torque  
It Will NEVER Crack Nor Deform

HDI Series LOCKnuts

Cat #	Trade Size"	"A"	"B"	Unit Carton	Std Pkg.	WT/100	UPC Code
LN 50HDI	1/2	1.13	.13	200	2000	2	66236401500
LN 75HDI	3/4	1.39	.13	100	1000	4	66236401510
LN100HDI	1	1.69	.17	50	500	6	66236401520
LN125HDI	1 1/4	2.06	.17	50	500	14	66236401530
LN150HDI	1 1/2	2.28	.17	25	250	17	66236401540
LN200HDI	2	2.78	.17	25	250	9	66236401550
LN250HDI	2 1/2	3.39	.25	-	30	36	66236401560
LN300HDI	3	4.00	.25	-	25	55	66236401570
LN350HDI	3 1/2	4.56	.25	-	25	78	66236401580
LN400HDI	4	5.09	.25	-	25	101	66236401590