



## Strain Relief Cord Connectors Straight

Industrial specification grade, screw machined steel, zinc plated  
Provides a UL liquid tight and strain relief termination for  
flexible, neoprene, vinyl, or PVC control cord and cable  
Color Coded grommet to indicate cable diameter range

**SPEC-grade**



UL rated suitable for hazardous locations  
Class I, Div. 2; Class II, Div. 1 and 2;  
Class III, Div. 1 and 2; NEC 501-4(b), 505-4(a), 503-3(a)

Featuring:  
**EZ-Torque Compression Nut**

## Straight Connectors - Steel

Cat. #	Color	Size	Cable Ranges		Unit Ctn	Std Pkg	WT/ 100
			Min.	Max			
CG50A250	Red	1/2"	.150	.250	25	250	12
CG50A350	White	1/2"	.250	.350	25	250	12
CG50A450	Blue	1/2"	.350	.450	25	250	12
CG50A560	Green	1/2"	.450	.560	25	250	12
CG50A650	Brown	1/2"	.560	.650	25	250	12
CG75A250	Red	3/4"	.150	.250	10	100	10
CG75A350	White	3/4"	.250	.350	10	100	10
CG75A450	Blue	3/4"	.350	.450	10	100	10
CG75A560	Green	3/4"	.450	.560	10	100	10
CG75A650	Brown	3/4"	.560	.650	10	100	10
CG75B750	Yellow	3/4"	.650	.750	10	100	10
CG75B850	Purple	3/4"	.750	.850	10	100	10
CG100B560	Green	1"	.450	.560	5	50	28
CG100B650	Brown	1"	.560	.650	5	50	28
CG100B750	Yellow	1"	.650	.750	5	50	28
CG100B850	Purple	1"	.750	.850	5	50	28
CG100C950	Grey	1"	.850	.950	5	50	28
CG100C1050	Black	1"	.950	1.050	5	50	28

Cord Connectors 1 032015.1R



Made in the USA Since 1946

**SPEC-grade**

## Strain Relief Cord Connectors Straight

- Industrial specification grade, screw machined steel, zinc plated
- Provides a UL liquid tight and strain relief termination for flexible type, neoprene, vinyl, or PVC control cord and cable
- Color-coded grommet to indicate cable diameter range



UL rated suitable for hazardous locations  
Class I, Div. 2; Class II, Div. 1 and 2;  
Class III, Div. 1 and 2; NEC 501-4(b), 505-4(a), 503-3(a)

Featuring:  
**EZ-Torque Compression Nut**

## Straight Connectors - Steel

Cat. #	Color	Size	Cable Ranges		Unit Ctn	Std Pkg	WT/ 100
			Min.	Max			
CG125C850	Purple	1-1/4"	.750	.850	5	25	48
CG125C950	Grey	1-1/4"	.850	.950	5	25	48
CG125D1050	Black	1-1/4"	.950	1.050	5	25	48
CG125D1150	Orange	1-1/4"	1.050	1.150	5	25	48
CG125D1250	Red	1-1/4"	1.150	1.250	5	25	48
CG125D1375	White	1-1/4"	1.250	1.375	5	25	48
CG150D1050	Black	1-1/2"	.950	1.050	2	20	90
CG150D1150	Orange	1-1/2"	1.050	1.150	2	20	90
CG150D1250	Red	1-1/2"	1.150	1.250	2	20	90
CG150D1375	White	1-1/2"	1.250	1.375	2	20	90
CG150E1500	Blue	1-1/2"	1.380	1.500	2	20	90
CG150E1630**	Green	1-1/2"	1.500	1.630	2	20	90
CG150E1750**	Brown	1-1/2"	1.630	1.750	2	20	90
CG150E1880**	Purple	1-1/2"	1.750	1.880	2	20	90
CG200F1380	Red	2"	1.250	1.380	2	20	105
CG200F1500	Blue	2"	1.380	1.500	2	20	105
CG200F1630	Green	2"	1.500	1.630	2	20	105
CG200F1750	Brown	2"	1.630	1.750	2	20	105
CG200F1810	Yellow	2"	1.690	1.810	2	20	105
CG200F1880	Purple	2"	1.750	1.880	2	20	105
CG200F1940	White	2"	1.810	1.940	2	20	105
CG200F2060	Orange	2"	1.940	2.060	2	20	105

\*\*Cable jacket may have to be stripped to pass through connector body

Cord Connectors 2



## Strain Relief Aluminum Cord Connectors

**SPEC-grade**

Industrial specification grade, screw machined aluminum

- Provides UL liquid tight and strain relief termination for Flexible type, neoprene, vinyl, or PVC control cord and cable
- Color-coded grommet to indicate cable diameter range



Featuring:  
**EZ-Torque Compression Nut**



UL rated suitable for hazardous locations  
Class I, Div. 2; Class II, Div. 1 and 2;  
Class III, Div. 1 and 2; NEC 501-4(b), 505-4(a), 503-3(a)

## Straight Connectors - Aluminum

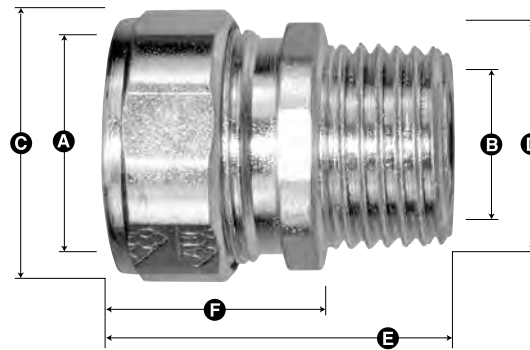
Cat. #	Color	Size	Cable Ranges		Unit Ctn	Std Pkg	WT/ 100
			Min.	Max			
CG50A250AL	Red	1/2"	.150	.250	25	250	6
CG50A350AL	White	1/2"	.250	.350	25	250	6
CG50A450AL	Blue	1/2"	.350	.450	25	250	6
CG50A560AL	Green	1/2"	.450	.560	25	250	6
CG50A650AL	Brown	1/2"	.560	.650	25	250	6
CG75A250AL	Red	3/4"	.150	.250	10	100	8
CG75A350AL	White	3/4"	.250	.350	10	100	8
CG75A450AL	Blue	3/4"	.350	.450	10	100	8
CG75A560AL	Green	3/4"	.450	.560	10	100	8
CG75A650AL	Brown	3/4"	.560	.650	10	100	8
CG75B750AL	Yellow	3/4"	.650	.750	10	100	10
CG75B850AL	Purple	3/4"	.750	.850	10	100	10
CG100B560AL	Green	1"	.450	.560	5	50	11
CG100B650AL	Brown	1"	.560	.650	5	50	11
CG100B750AL	Yellow	1"	.650	.750	5	50	11
CG100B850AL	Purple	1"	.750	.850	5	50	11
CG100C950AL	Grey	1"	.850	.950	5	50	11
CG100C1050AL	Black	1"	.950	1.050	5	50	11

Cord Connectors 3 032015.1R



Made in the USA Since 1946

## Strain Relief Cord Connectors



### Straights<sup>†</sup> Dimensional Table

Cat. #	Length*	Size	A Cable Ranges		B Max Cable	C Cross Corner	D Hex	E Overall	F Exposed
			Min.	Max	Core Dia.	Gland Nut O.D.	Body O.D.	Length	
CG50A250	1/2"	1/2"	.150	.250	.640	1.070	.975	1-5/16"	13/16"
CG50A350	1/2"	1/2"	.250	.350	.640	1.070	.975	1-5/16"	13/16"
CG50A450	1/2"	1/2"	.350	.450	.640	1.070	.975	1-5/16"	13/16"
CG50A560	1/2"	1/2"	.450	.560	.640	1.070	.975	1-5/16"	13/16"
CG50A650	1/2"	1/2"	.560	.650	.640	1.070	.975	1-5/16"	13/16"
CG75A250	3/4"	3/4"	.150	.250	.687	1.070	1.220	1-5/16"	13/16"
CG75A350	3/4"	3/4"	.250	.350	.687	1.070	1.220	1-5/16"	13/16"
CG75A450	3/4"	3/4"	.350	.450	.687	1.070	1.220	1-5/16"	13/16"
CG75A560	3/4"	3/4"	.450	.560	.687	1.070	1.220	1-5/16"	13/16"
CG75A650	3/4"	3/4"	.560	.650	.687	1.070	1.220	1-5/16"	13/16"
CG75B750	3/4"	3/4"	.650	.750	.845	1.330	1.220	1-9/16"	1-1/32"
CG75B850	3/4"	3/4"	.750	.850	.845	1.330	1.220	1-9/16"	1-1/32"
CG100B560	1"	1"	.450	.560	.937	1.330	1.500	1-3/4"	1-1/8"
CG100B650	1"	1"	.560	.650	.937	1.330	1.500	1-3/4"	1-1/8"
CG100B750	1"	1"	.650	.750	.937	1.330	1.500	1-3/4"	1-1/8"
CG100B850	1"	1"	.750	.850	.937	1.330	1.500	1-3/4"	1-1/8"
CG100C950	1"	1"	.850	.950	1.050	1.625	1.500	1-7/8"	1-3/16"
CG100C1050	1"	1"	.950	1.050	1.050	1.625	1.500	1-7/8"	1-3/16"
CG100B850	1"	1"	.750	.850	.937	1.330	1.500	1-3/4"	1-1/8"
CG100C950	1"	1"	.850	.950	1.050	1.625	1.500	1-7/8"	1-3/16"
CG100C1050	1"	1"	.950	1.050	1.050	1.625	1.500	1-7/8"	1-3/16"

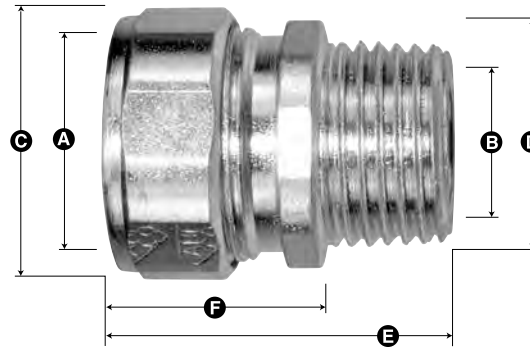
\*Normal: may vary slightly depending on cable's diameter †Consult factory for 90° & 45° dimensions

Cord Connectors 4



Made in the USA Since 1946

## Strain Relief Cord Connectors



### Straights<sup>†</sup> Dimensional Table

Cat. #	Size	A Cable Ranges		B Max Cable Core Dia.	C Cross Corner Gland Nut O.D.	D Hex Body O.D.	E Overall Length*	F Exposed Length*
		Min.	Max					
CG125C850	1-1/4"	.750	.850	1.187	1.625	1.900	1-15/16"	1-1/4"
CG125C950	1-1/4"	.850	.950	1.187	1.625	1.900	1-15/16"	1-1/4"
CG125D1050	1-1/4"	.950	1.050	1.375	2.032	1.900	1-15/16"	1-1/4"
CG125D1150	1-1/4"	1.050	1.150	1.375	2.032	1.900	1-15/16"	1-1/4"
CG125D1250	1-1/4"	1.150	1.250	1.375	2.032	1.900	1-15/16"	1-1/4"
CG125D1375	1-1/4"	1.250	1.375	1.375	2.032	1.900	1-15/16"	1-1/4"
CG150D1050	1-1/2"	.950	1.050	1.375	2.032	2.280	2"	1-5/16"
CG150D1150	1-1/2"	1.050	1.150	1.375	2.032	2.280	2"	1-5/16"
CG150D1250	1-1/2"	1.150	1.250	1.375	2.032	2.280	2"	1-5/16"
CG150D1375	1-1/2"	1.250	1.375	1.375	2.032	2.280	2"	1-5/16"
CG150E1500	1-1/2"	1.380	1.500	1.625	2.375	2.188	2-1/8"	1-3/8"
CG150E1630	1-1/2"	1.500	1.630	1.625	2.375	2.188	2-1/8"	1-3/8"
CG150E1700	1-1/2"	1.630	1.750	1.625	2.375	2.188	2-1/8"	1-3/8"
CG150E1880	1-1/2"	1.750	1.880	1.625	2.375	2.188	2-1/8"	1-3/8"
CG200F1380	2"	1.250	1.380	2.060	2.875	2.656	2-1/4"	1-5/8"
CG200F1500	2"	1.380	1.500	2.060	2.875	2.656	2-1/4"	1-5/8"
CG200F1630	2"	1.500	1.630	2.060	2.875	2.656	2-1/4"	1-5/8"
CG200F1750	2"	1.630	1.750	2.060	2.875	2.656	2-1/4"	1-5/8"
CG200F1810	2"	1.690	1.810	2.060	2.875	2.656	2-1/4"	1-5/8"
CG200F1880	2"	1.750	1.880	2.060	2.875	2.656	2-1/4"	1-5/8"
CG200F1940	2"	1.810	1.940	2.060	2.875	2.656	2-1/4"	1-5/8"
CG200F2060	2"	1.940	2.060	2.060	2.875	2.656	2-1/4"	1-5/8"

\*Normal: may vary slightly depending on cable's diameter †Consult factory for 90° & 45° dimensions



Made in the USA Since 1946

## Strain Relief Cord Connectors 90°

- Industrial specification grade, screw steel, zinc plated
- Provides a UL liquid tight and strain relief termination for flexible type, neoprene, vinyl, or PVC control cord and cable
- Color-coded grommet to indicate cable diameter range

**SPEC-grade**



Featuring:  
**EZ-Torque Compression Nut**



UL rated suitable for hazardous locations  
Class I, Div. 2; Class II, Div. 1 and 2;  
Class III, Div. 1 and 2; NEC 501-4(b), 505-4(a), 503-3(a)

## 90° Angle Connectors<sup>†</sup>

Cat. #	Color	Size	Cable Ranges		Unit	Std	WT/
			Min.	Max	Ctn	Pkg	100
CG50A25090	Red	1/2"	.150	.250	10	100	26
CG50A35090	White	1/2"	.250	.350	10	100	26
CG50A45090	Blue	1/2"	.350	.450	10	100	26
CG50A56090	Green	1/2"	.450	.560	10	100	26
CG50A65090	Brown	1/2"	.560	.650	10	100	26
CG75A25090	Red	3/4"	.150	.250	5	50	48
CG75A35090	White	3/4"	.250	.350	5	50	48
CG75A45090	Blue	3/4"	.350	.450	5	50	48
CG75A56090	Green	3/4"	.450	.560	5	50	48
CG75A65090	Brown	3/4"	.560	.650	5	50	48
CG75B75090	Yellow	3/4"	.650	.750	5	50	48
CG75B85090	Purple	3/4"	.750	.850	5	50	48
CG100B56090	Green	1"	.450	.560	5	25	68
CG100B65090	Brown	1"	.560	.650	5	25	68
CG100B75090	Yellow	1"	.650	.750	5	25	68
CG100B85090	Purple	1"	.750	.850	5	25	68
CG100C95090	Grey	1"	.850	.950	5	25	68
CG100C105090	Black	1"	.950	1.050	5	25	68

Cord Connectors 6 032015.1R

# AMERICAN FITTINGS Corporation



Made in the USA Since 1946

FLEXIBLE CORD  
Strain Relief Cord Connectors 45°  
Size Range: 1/2" to 1"

## Strain Relief Cord Connectors 45°

- Industrial specification grade, screw steel, zinc plated
- Provides a UL liquid tight and strain relief termination for flexible type, neoprene, vinyl, or PVC control cord and cable
- Color-coded grommet to indicate cable diameter range



UL rated suitable for hazardous locations  
Class I, Div. 2; Class II, Div. 1 and 2;  
Class III, Div. 1 and 2; NEC 501-4(b), 505-4(a), 503-3(a)

## SPEC-grade



Featuring:  
**EZ-Torque Compression Nut**

## 45° Angle Connectors<sup>†</sup>

Cat. #	Color	Size	Cable Ranges		Unit	Std	WT/
			Min.	Max	Ctn	Pkg	100
CG50A25045	Red	1/2"	.150	.250	10	100	26
CG50A35045	White	1/2"	.250	.350	10	100	26
CG50A45045	Blue	1/2"	.350	.450	10	100	26
CG50A56045	Green	1/2"	.450	.560	10	100	26
CG50A65045	Brown	1/2"	.560	.650	10	100	26
CG75A25045	Red	3/4"	.150	.250	5	50	48
CG75A35045	White	3/4"	.250	.350	5	50	48
CG75A45045	Blue	3/4"	.350	.450	5	50	48
CG75A56045	Green	3/4"	.450	.560	5	50	48
CG75A65045	Brown	3/4"	.560	.650	5	50	48
CG75B75045	Yellow	3/4"	.650	.750	5	50	48
CG75B85045	Purple	3/4"	.750	.850	5	50	48
CG100B56045	Green	1"	.450	.560	5	25	68
CG100B65045	Brown	1"	.560	.650	5	25	68
CG100B75045	Yellow	1"	.650	.750	5	25	68
CG100B85045	Purple	1"	.750	.850	5	25	68
CG100C95045	Grey	1"	.850	.950	5	25	68
CG100C105045	Black	1"	.950	1.050	5	25	68

<sup>†</sup> Consult factory for 90° & 45° dimensions

Cord Connectors 7

AMFTGS.com

t: 800-221-5268

e: info@amftgs.com



## Selection Table For Cords 1/2" to 1"

Cat. #	Size	Cable Ranges		For Types	For Types SJ, STO, SJT
		Min.	Max	S, SO, ST & STO	SJTO, SVO and Bus Drop
CG50A250	1/2"	.150	.250		18-2,3 SVO
CG50A350	1/2"	.250	.350		18-2,3 SJT, 18-2,3,4 SJO 16-2,3, SJO
CG50A450	1/2"	.350	.450	18-2,3,4 16-2,3,4	16-4 SJO 14-2,3,4 SJO 12-2 SJO 14-3 Bus Drop
CG50A560	1/2"	.450	.560	18-5,6,7 16-5,6 14-2,3	12-3 SJO 12-3 & 10-3 Bus Drop
CG50A650	1/2"	.560	.650	18-8,10 16-7,8 14-4 12-2,3 10-2	
CG75A250	3/4"	.150	.250		18-2,3 SVO
CG75A350	3/4"	.250	.350		18-2,3 SJT 18-2,3,4 SJO 16-2,3 SJO
CG75A450	3/4"	.350	.450	18-2,3,4 16-2,3,4	16-4 SJO 14-2,3,4 SJO 12-2 SJO 14-3 Bus Drop
CG75A560	3/4"	.450	.560	18-5,6,7 16-5,6 14-2,3	12-3 SJO 12-3 & 10-3 Bus Drop
CG75A650	3/4"	.560	.650	18-8,10 16-7,8 14-4 12-2,3 10-2	
CG75B750	3/4"	.650	.750	18-12,14 16-10,12 14-5,6, 12-4,5 10-3,4 8-2	8-3 Bus Drop
CG75B850	3/4"	.750	.850	18-16,18,20 16-14,16,18 14-8 12-6,7,8 10-5 8-3,4 6-2	6-3 Bus Drop
CG100B560	1"	.450	.560	18-5,6,7 16-5,6 14-2,3	12-3 SJO 12-3 & 10-3 Bus Drop
CG100B650	1"	.560	.650	18-8,10 16-7,8 14-4 12-2,3 10-2	
CG100B750	1"	.650	.750	18-12,14 16-10,12 14-5,6,7 12-4,5 10-3,4 8-2	8-3 Bus Drop
CG100B850	1"	.750	.850	18-16,18,20 16-14,16,18 14-8 12-6,7,8 10-5 8-3,4 6-2	6-3 Bus Drop
CG100C950	1"	.850	.950	18-22,24,26 16-20,22,24 14-10,12 10-6,7,8 6-3,4	4-3 Bus Drop
CG100C1050	1"	.950	1.050		18-30 16-26 14-14,16 12-10 4-3





## Selection Table For Cords 1 1/4" to 2"

Cat. #	Size	Cable Ranges		For Types	For Types SJ, STO, SJT
		Min.	Max	S, SO, ST & STO	SJTO, SVO and Bus Drop
CG125C850	1-1/4"	.750	.850	18-16,18,20 16-14,16,18 14-8 12-6,7,8 10-5 8-3,4 6-2	6-3 Bus Drop
CG125C950	1-1/4"	.850	.950	18-22,24,26 16-20,22,24 14-10,12, 10-6,7,8 6-3,4	4-3 Bus Drop
CG125D1050	1-1/4"	.950	1.050	18-30 16-26 14-14,16 12-10 4-3	
CG125D1150	1-1/4"	1.050	1.150	18-36,40 16-30,36 14-18,20 12-12,14 10-10 4-4	2-3 Bus Drop
CG125D1250	1-1/4"	1.150	1.250	16-40 14-22 12-16,18 10-12,14 2-3	
CG125D1375	1-1/4"	1.250	1.375	14-24,26,30 12-20 10-16 2-4	
CG150D1050	1-1/2"	.950	1.050	18-30 16-26 14-14,16 12-10 4-3	
CG150D1150	1-1/2"	1.050	1.150	18-36,40 16-30,36 14-18,20 12-12,14 10-10 4-4	2-3 Bus Drop
CG150D1250	1-1/2"	1.150	1.250	16-40 14-22 12-16,18 10-12,14 2-3	
CG150D1375	1-1/2"	1.250	1.375	12-24,26,30 12-20 10-16 2-4	
CG150E1500	1-1/2"	1.380	1.500	3-4, 2-4, 1-2	
CG150E1630	1-1/2"	1.500	1.630	1/0-2, 1-3	
CG150E1750	1-1/2"	1.630	1.750	2/0-2,3 1/0-3 1-4	
CG150E1880	1-1/2"	1.750	1.880	4/0-2 3/0-2,3 2/0-3 1/0-4	
CG200F1380	2"	1.250	1.380	4-4, 3-4, 2-3,2	
CG200F1500	2"	1.380	1.500	3-4, 2-4, 1-2	
CG200F1630	2"	1.500	1.630	1/0-2 1-3	
CG200F1750	2"	1.630	1.750	2/0-2,3 1/0-3 1-4	
CG200F1810	2"	1.690	1.810	3/0-2,3 2/0-3 1-4 1/0-4	
CG200F1880	2"	1.750	1.880	4/0-2, 3/0-2,3 2/0-3 1/0-4	
CG200F1940	2"	1.810	1.940	4/0-2 2/0-4	
CG200F2060	2"	1.940	2.060		

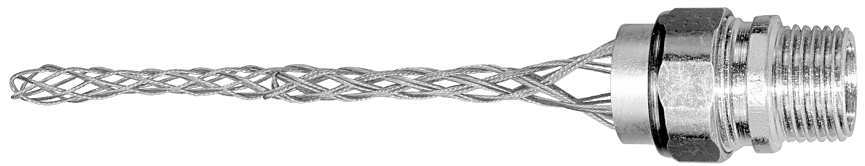


## Industrial Grade Cord Grips with Stainless Steel Mesh

- Industrial specification grade screw machined steel, zinc plated
- UL rated Liquid Tight
- Multi-weave stainless steel mesh
- Indoor and outdoor use
- Color coded grommet to indicate cable diameter range and to insure an oil and watertight seal



**SPEC-grade**



### Straight Connectors

Cat. #	Color	Size	Cable Ranges		Std Pkg	WT/100
			Min.	Max		
CG50A250GT	Red	1/2"	.150	.250	5	10
CG50A350GT	White	1/2"	.250	.350	5	10
CG50A450GT	Blue	1/2"	.350	.450	5	10
CG50A560GT	Green	1/2"	.450	.560	5	10
CG50A650GT	Brown	1/2"	.560	.650	5	10
CG75A250GT	Red	3/4"	.150	.250	5	15
CG75A350GT	White	3/4"	.250	.350	5	15
CG75A450GT	Blue	3/4"	.350	.450	5	15
CG75A560GT	Green	3/4"	.450	.560	5	20
CG75A650GT	Brown	3/4"	.560	.650	5	20
CG75B750GT	Yellow	3/4"	.650	.750	5	20
CG75B850GT	Purple	3/4"	.750	.850	5	25
CG100B560GT	Green	1"	.450	.560	5	30
CG100B650GT	Brown	1"	.560	.650	5	30
CG100B750GT	Yellow	1"	.650	.750	5	30
CG100B850GT	Purple	1"	.750	.850	5	35
CG100C950GT	Grey	1"	.850	.950	5	35
CG100C1050GT	Black	1"	.950	1.050	5	40

Wire Mesh CG 4.1

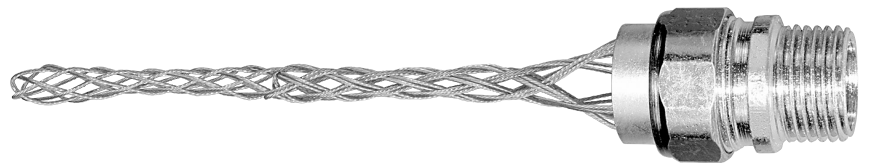
Larger size cord grips with mesh available upon request



## Industrial Grade Cord Grips with Stainless Steel Mesh

- Industrial specification grade screw machined steel, zinc plated
- UL rated Liquid Tight
- Multi-weave stainless steel mesh
- Indoor and outdoor use
- Color coded grommet to indicate cable diameter range and to insure an oil and watertight seal

**SPEC-grade**



### Straight Connectors

Cat. #	Color	Size	Cable Ranges		Std Pkg	WT/ 100
			Min.	Max		
CG125C850GT	Purple	1-1/4"	.750	.850	5	48
CG125C950GT	Grey	1-1/4"	.850	.950	5	48
CG125D1050GT	Black	1-1/4"	.950	1.050	5	48
CG125D1150GT	Orange	1-1/4"	1.050	1.150	5	48
CG125D1250GT	Red	1-1/4"	1.150	1.250	5	48
CG125D1375GT	White	1-1/4"	1.250	1.375	5	48
CG150D1050GT	Black	1-1/2"	.950	1.050	2	90
CG150D1150GT	Orange	1-1/2"	1.050	1.150	2	90
CG150D1250GT	Red	1-1/2"	1.150	1.250	2	90
CG150D1375GT	White	1-1/2"	1.250	1.375	2	90
CG150E1500GT	Blue	1-1/2"	1.380	1.500	2	90
CG150E1630GT	Green	1-1/2"	1.500	1.630	2	90
CG150E1750GT	Brown	1-1/2"	1.630	1.750	2	90
CG150E1880GT	Purple	1-1/2"	1.750	1.880	2	90
CG200F1380GT	Red	2"	1.250	1.380	2	125
CG200F1500GT	Blue	2"	1.380	1.500	2	125
CG200F1630GT	Green	2"	1.500	1.630	2	125
CG200F1750GT	Brown	2"	1.630	1.750	2	125
CG200F1810GT	Yellow	2"	1.690	1.810	2	125
CG200F1880GT	Purple	2"	1.750	1.880	2	125
CG200F1940GT	White	2"	1.810	1.940	2	125
CG200F2060GT	Orange	2"	1.940	2.060	2	125

\*\* Cable jacket may have to be stripped to pass through connector body