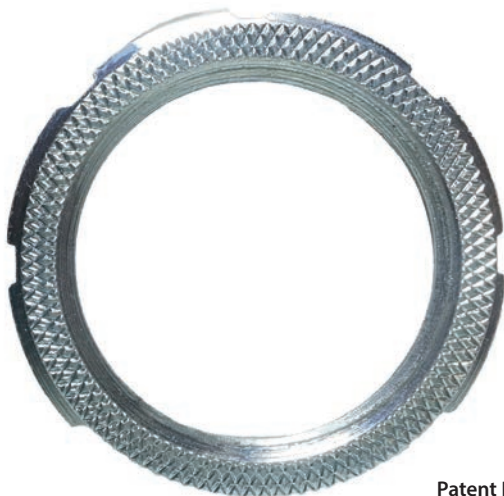




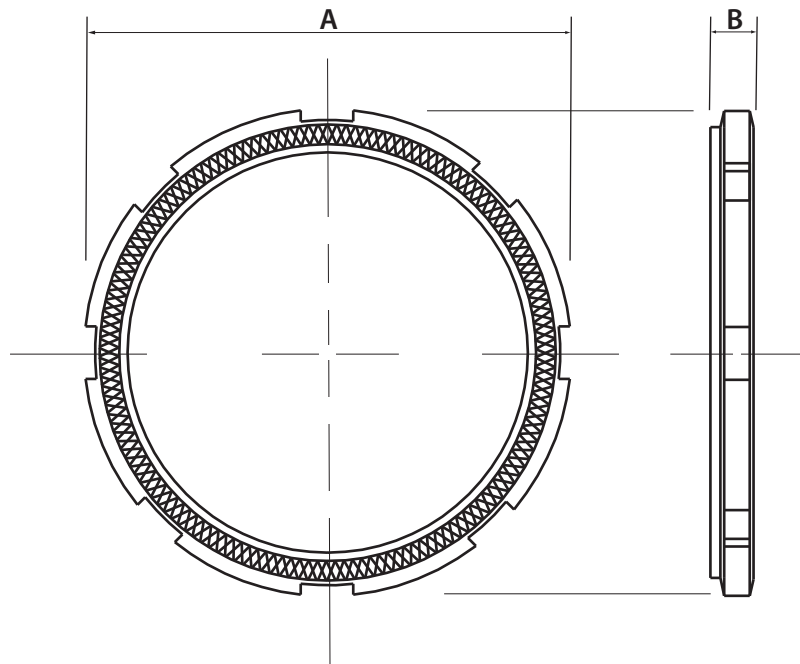
## "TURN ON" with AMFICO's Next Generation SPEC-grade LOCKnuts™

Heavy Duty Industrial  
Specification Grade Locknuts

Solid Steel Construction, Never Cracks, Splits or Warp Uniformly Bounds to Enclosure Wall  
Machined from Bar Stock  
Electro Plated Zinc, Will Not Flake When Installed  
Made in the USA



Patent Pending



**The Most Severe Vibrations Will NOT Loosen This Locknut's "Cutting Edge" Grip**

### SPEC-grade LOCKnuts™

Our solid steel industrial grade locknuts feature AMFICO's uniformed and uniquely designed machined cut serrations. This assures you the capability of cutting through protective coatings on boxes or enclosures to guarantee a positive lock for bonding and grounding.

Unique beveled tangs provide the easiest means to tighten the locknut.

Fully machined ID threads provide the fastest and an ultra-secure threading to pipe or AMIFCO fittings.

Patent Pending

Solid Steel Fully Machined Industrial Specification Grade Locknuts

Cat. #	Trade Size	A	B Thickness
LN 50 HDI	1/2"	1.13"	.13"
LN 75 HDI	3/4"	1.39"	.13"
LN100 HDI	1"	1.69"	.17"
LN125 HDI	1-1/4"	2.06"	.17"
LN150 HDI	1-1/2"	2.28"	.17"
LN200 HDI	2"	2.78"	.17"

Better Ideas, Better Products, Made in the USA

LNHDI.022715.R1



Made in the USA Since 1946

## Conduit Locknuts (UL & CSA listed)

- Industrial specification grade steel
- Heavier steel construction
- Electro zinc plated for corrosion protection
- Fastens threaded conduit to unthreaded opening in a box or enclosure
- Superior clean threads for tightening without distortion
- Rugged tangs for extensive reach and ensured bonding

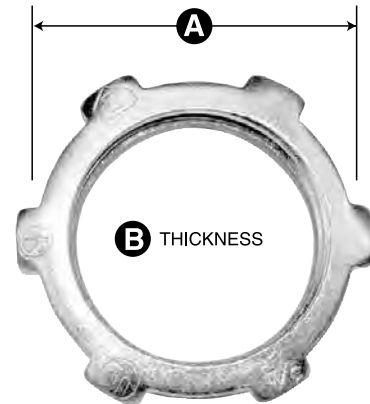


E93605



LR61799

## SPEC-grade



### Dimensional Table

Cat. #	Size	Unit Ctn	Std Pkg	WT/ 100
LN25	1/4"	200	2000	1
LN38	3/8"	200	2000	1
LN50	1/2"	200	2000	1
LN75	3/4"	100	1000	2
LN100	1"	50	500	4
LN125	1-1/4"	50	500	7
LN150	1-1/2"	25	250	8
LN200	2"	25	250	9
LN250	2 1/2"	-	30	29
LN300	3"	-	25	42
LN350	3 1/2"	-	25	48
LN400	4"	-	25	52
LN500	5"	-	10	95
LN600	6"	-	10	106

Cat. #	A Diameter	B Thickness
LN25	.80	.11
LN38	.98	.12
LN50	1.13	.13
LN75	1.38	.14
LN100	1.72	.18
LN125	2.06	.19
LN150	2.38	.18
LN200	2.89	.19
LN250	3.54	.39
LN300	4.23	.39
LN350	4.75	.39
LN400	5.29	.39
LN500	6.68	.50
LN600	7.34	.56

\* Malleable Iron

Rigid IMC Conduit Fittings

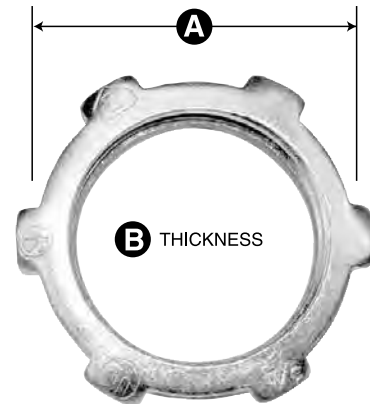


## Sealing Locknuts

- Zinc plated with PVC Molded Gasket



## SPEC-grade



## Steel - Sealing Locknuts

Cat. #	Size	Unit Ctn	Std Pkg	WT/ 100
SL1*	1/2"	100	1000	2
SL2*	3/4"	100	1000	3
SL3*	1"	50	500	2
SL4*	1-1/4"	25	250	8
SL5*	1-1/2"	25	250	8
SL6*	2"	10	100	12
SL7	2-1/2"	-	25	20
SL8	3"	-	25	20
SL9	3-1/2"	-	10	24
SL10	4"	-	10	24
SL11	5"	-	5	95
SL12	6"	-	5	125

## Dimensional Table

Cat. #	A Diameter	B Thickness
SL1	1.12	.26
SL2	1.37	.27
SL3	1.75	.28
SL4	2.06	.32
SL5	2.37	.32
SL6	2.87	.32
SL7	3.43	.32
SL8	4.12	.32
SL9	4.62	.32
SL10	5.18	.32

Rigid IMC Conduit Fittings

\*UL & CSA Listed



## Grounding Locknuts

- Threaded for Rigid/IMC conduit
- Used to insure positive bonding and fastening to a box or enclosure
- Required for installations where severe vibration is encountered
- Solid steel construction
- Zinc plated for corrosion protection



## SPEC-grade



## Grounding Locknuts

Cat. #	Size	Unit Ctn	Std Pkg	WT/100
GRL50	1/2"	100	1000	3
GRL75	3/4"	100	1000	3
GRL100	1"	50	500	5
GRL125	1-1/4"	50	250	6
GRL150	1-1/2"	25	250	9
GRL200	2"	20	200	14
GRL250	2-1/2"	-	25	16
GRL300	3"	-	20	28
GRL350	3-1/2"	-	10	36
GRL400	4"	-	10	40

## Dimensional Table

Cat. #	A Diameter	B Thickness
GRL50	1.340	.170
GRL75	1.575	.170
GRL100	1.890	.170
GRL125	2.300	.170
GRL150	2.600	.170
GRL200	3.100	.187
GRL250	3.562	.375
GRL300	4.250	.375
GRL350	4.803	.375
GRL400	5.402	.375

Rigid IMC Conduit Fittings