



Made in the USA Since 1946

## EMT Connectors Compression Type

- For connecting and bonding electric metallic tubing to a box or enclosure
- Concrete Tight 1/2" to 4"
- Screw Machined Steel, zinc plated \*

### EMT Connectors Compression (EC)

Cat. #	Size	Unit Ctn	Std Pkg	WT/ 100
EC750US	1/2"	50	250	8
EC751US	3/4"	25	125	12
EC752US	1"	20	100	19
EC753US	1-1/4"	5	50	30
EC754US	1-1/2"	5	25	46
EC755US	2"	5	25	55
EC756US	2-1/2"	-	5	217
EC757US	3"	-	3	260
EC758US	3-1/2"	-	2	332
EC759US	4"	-	2	377

\* 2-1/2" & Larger May Be Steel or Malleable Iron

### Dimensional Table

Cat. #	A Diameter	B Length	C Length of Thread
EC750BUS	1.750	1.250	.406
EC751BUS	1.813	1.563	.406
EC752BUS	2.000	1.813	.406
EC753BUS	2.750	2.188	.500
EC754BUS	3.000	2.438	.500
EC755BUS	3.188	2.938	.688
EC756BUS	3.929	3.875	1.250
EC757BUS	4.650	4.000	1.375
EC758BUS	5.198	4.312	1.375
EC759BUS	5.750	4.500	1.500

## SPEC-grade



Featuring:  
EZ-Torque Compression Nut



### With Insulated Throat

Cat. #	Size	Unit Ctn	Std Pkg	WT/ 100
EC750BUS	1/2"	50	250	8
EC751BUS	3/4"	25	125	12
EC752BUS	1"	20	100	19
EC753BUS	1-1/4"	5	50	30
EC754BUS	1-1/2"	5	25	46
EC755BUS	2"	5	25	55
EC756BUS	2-1/2"	-	5	242
EC757BUS	3"	-	3	307
EC758BUS	3-1/2"	-	2	390
EC759BUS	4"	-	2	492



THE NEW GOLD STANDARD in RAIN TIGHT EMT FITTINGS  
AMFICO GOLD PLATED COMPRESSION RT CONNECTORS

## EMT Connectors Compression Type/Raintight

- RAIN AND CONCRETE TIGHT 1/2" to 4"
- For use in wet locations to ground and secure EMT raceway boxes and enclosures
- Connector utilizes internal and external sealing rings to prevent entrance of water or moisture
- Screw machined steel, gold zinc plated \*

**SPEC grade**



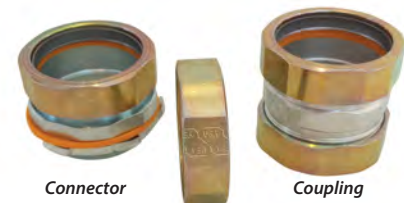
Featuring:  
**EZ-Torque Compression Nut**



AMFICO distinctive design features a unique zinc gold plated compression nut. This enables inspectors to visually inspect rain tight conformance from a distance. Rain tight close-up inspection is no longer required when you use the AMFICO Gold Standard.

### EMT Connector Compression - Raintight (EC RT)

Cat. #	Size	Unit Ctn	Std Pkg	WT/100
EC750USRT	1/2"	50	250	8
EC751USRT	3/4"	25	250	12
EC752USRT	1"	20	100	19
EC753USRT	1-1/4"	5	50	30
EC754USRT	1-1/2"	5	25	46
EC755USRT	2"	5	25	55
EC756USRT	2 1/2"	-	5	217
EC757USRT	3"	-	3	260
EC758USRT	3 1/2"	-	3	332
EC759USRT	4"	-	2	377



Connector  
Compression Nut Grips Tight & Right  
Coupling

\* Fittings 2 1/2" & Larger May Be Steel or Malleable Iron  
**Dimensional Table**

Cat. #	A Diameter	B Length	C Length of Thread
EC750USRT	1.750	1.250	.406
EC751USRT	1.813	1.563	.406
EC752USRT	2.000	1.813	.406
EC753USRT	2.750	2.188	.500
EC754USRT	3.000	2.438	.500
EC755USRT	3.188	2.938	.688

### With Insulated Throat

Cat. #	Size	Unit Ctn	Std Pkg	WT/100
EC750BUSRT	1/2"	50	250	8
EC751BUSRT	3/4"	25	250	12
EC752BUSRT	1"	20	100	19
EC753BUSRT	1-1/4"	5	50	30
EC754BUSRT	1-1/2"	5	25	46
EC755BUSRT	2"	5	25	55
EC756BUSRT	2 1/2"	-	5	217
EC757BUSRT	3"	-	3	260
EC758BUSRT	3 1/2"	-	3	332
EC759BUSRT	4"	-	2	377



Made in the USA Since 1946

## EMT Couplings Compression Type

- For coupling two ends of electric metallic tubing
  - Concrete Tight 1/2" to 4"
  - Screw Machined Steel, zinc plated \*
- \* Fittings 2 1/2" & Larger May Be Steel or Malleable Iron



## SPEC-grade



Featuring:  
**EZ-Torque Compression Nut**

### EMT Couplings Compression (EC)

Cat. #	Size	Unit Ctn	Std Pkg	WT/ 100
EC760US	1/2"	50	250	8
EC761US	3/4"	25	125	13
EC762US	1"	20	100	19
EC763US	1-1/4"	5	50	30
EC764US	1-1/2"	5	25	46
EC765US	2"	5	25	60
EC766US	2-1/2"	-	5	33
EC767US	3"	-	3	367
EC768US	3-1/2"	-	2	426
EC769US	4"	-	2	523

### Dimensional Table

Cat. #	A Length	B Diameter
EC760US	1.688	1.250
EC761US	2.000	1.563
EC762US	2.125	1.813
EC763US	3.063	2.188
EC764US	3.125	2.438
EC765US	3.375	2.938
EC766US	5.750	3.931
EC767US	5.720	4.667
EC768US	6.000	5.200
EC769US	6.811	5.750

EMT Conduit Fittings 3



**THE NEW GOLD STANDARD in RAIN TIGHT EMT FITTINGS  
AMFICO'S GOLD EDITION COMPRESSION RT COUPLINGS**

**EMT Couplings**  
*Compression Type/Raintight*

- RAIN AND CONCRETE TIGHT 1/2" to 4"
- For use in wet locations to ground and secure EMT raceway boxes and enclosures together
- Coupling utilizes two sealing rings to prevent water seepage
- Screw machined steel, gold zinc plated \*



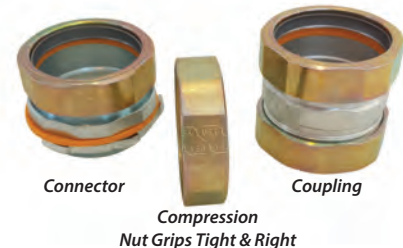
E101868

**SPEC-grade**



Featuring:  
**EZ-Torque Compression Nut**

*Easily identify Rain Tight Connections with our Gold Zinc Plated Compression Nuts  
AMFICO distinctive design features a unique zinc gold plated compression nut.  
This enables inspectors to visually inspect rain tight conformance from a distance.  
Rain tight close-up inspection is no longer required when you use*



Connector

Coupling

Compression  
Nut Grips Tight & Right

**EMT Couplings - Raintight (EC-RT)**

Cat. #	Size	Unit Ctn	Std Pkg	WT/ 100
EC760USRT	1/2"	50	250	8
EC761USRT	3/4"	25	125	13
EC762USRT	1"	20	100	19
EC763USRT	1-1/4"	5	50	30
EC764USRT	1-1/2"	5	25	46
EC765USRT	2"	5	25	60
EC766USRT	2-1/2"	-	5	333
EC767USRT	3"	-	3	367
EC768USRT	3-1/2"	-	3	426
EC769USRT	4"	-	2	523

\* Fittings 2 1/2" & Larger May Be Steel or Malleable Iron

**Dimensional Table**

Cat. #	Length	Diameter
EC760USRT	1.688	1.250
EC761USRT	2.000	1.563
EC762USRT	2.125	1.813
EC763USRT	3.063	2.188
EC764USRT	3.125	2.438
EC765USRT	3.375	2.938

EMT RT Gold Ed. 02.2015.1



## EMT Connectors Set Screw Type

- For connecting & bonding electrical metallic tubing to a box or enclosure
- Steel, zinc plated \*
- UL rated concrete tight when taped

### EMT Connectors - Set Screw (SS)

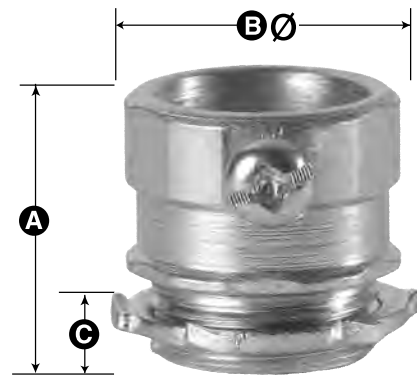
Cat. #	Size	Unit Ctn	Std Pkg	WT/ 100
SS50US	1/2"	50	250	10
SS51US	3/4"	25	125	14
SS52US	1"	20	100	23
SS53US	1-1/4"	5	25	40
SS54US	1-1/2"	5	25	52
SS55US	2"	-	20	80
SS56US	2-1/2"	-	6	142
SS57US	3"	-	6	183
SS58US	3-1/2"	-	3	250
SS59US	4"	-	3	283

\* Fittings 2 1/2" & Larger May Be Steel or Malleable Iron

### Dimensional Table

Cat. #	A Overall Length	B Diameter	C Length of Thread
SS50/BUS	1.130	1.125	.375
SS51/BUS	1.250	1.380	.375
SS52/BUS	1.500	1.630	.500
SS53/BUS	2.750	2.000	.500
SS54/BUS	2.880	2.250	.500
SS55/BUS	2.000	2.750	.625
SS56/BUS	3.940	3.220	1.250
SS57/BUS	3.060	4.840	1.375
SS58/BUS	3.380	4.360	1.375
SS59/BUS	3.560	4.860	1.500

## SPEC-grade



### With Insulated Throat

Cat. #	Size	Unit Ctn	Std Pkg	WT/ 100
SS50BUS	1/2"	50	250	10
SS51BUS	3/4"	25	125	14
SS52BUS	1"	20	100	23
SS53BUS	1-1/4"	5	25	40
SS54BUS	1-1/2"	5	25	52
SS55BUS	2"	-	20	80
SS56BUS	2-1/2"	-	6	142
SS57BUS	3"	-	6	183
SS58BUS	3-1/2"	-	3	250
SS59BUS	4"	-	3	283



## EMT Couplings Set Screw Type

- For coupling two ends of electrical metallic tubing
- Steel, zinc plated \*
- UL rated Concrete Tight when Taped

### EMT Couplings - Set Screw (SS)

Cat. #	Size	Unit Ctn	Std Pkg	WT/ 100
SS60US	1/2"	50	250	10
SS61US	3/4"	25	125	15
SS62US	1"	10	50	24
SS63US	1-1/4"	5	25	44
SS64US	1-1/2"	5	25	68
SS65US	2"	-	20	90
SS66US	2-1/2"	-	5	158
SS67US	3"	-	3	217
SS68US	3-1/2"	-	2	250
SS69US	4"	-	2	283

\* Fittings 2 1/2" & Larger May Be Steel or Malleable Iron

### Dimensional Table

Cat. #	A Length	B Diameter
SS60US	1.75	.937
SS61US	2.13	1.125
SS62US	2.50	1.375
SS63US	3.25	1.687
SS64US	3.75	1.968
SS65US	4.0	2.406
SS66US	4.25	3.220
SS67US	4.50	3.840
SS68US	4.75	4.360
SS69US	5.00	4.860

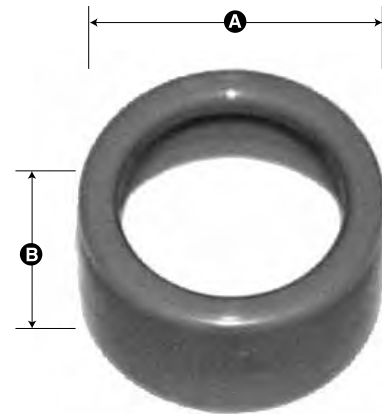
## SPEC-grade





## EMT Insulating Bushings

- Polyethylene
- temperature Rated at 90°
- Offers protection for cables or wiring from sharp edges of EMT
- For use with computer, telephone, security, cable television & power



### EMT Insulated Bushings

Cat. #	Size	Unit Ctn	Std Pkg	WT/ 100
EIB50	1/2"	100	1000	1
EIB75	3/4"	100	500	1
EIB100	1"	50	250	1
EIB125	1-1/4"	40	200	1
EIB150	1-1/2"	40	200	2
EIB200	2"	-	50	2
EIB250	2-1/2"	-	25	4
EIB300	3"	-	25	6
EIB350	3-1/2"	-	20	7
EIB400	4"	-	15	11

### Dimensional Table

Cat. #	A	B
EIB50	.558	.537
EIB75	.743	.525
EIB100	.945	.635
EIB125	1.240	.625
EIB150	1.440	.625
EIB200	1.870	.625
EIB250	2.240	1.230
EIB300	2.750	1.230
EIB350	3.340	1.110
EIB400	3.770	1.230



Made in the USA Since 1946

RIGID - IMC CONDUIT

Rigid Steel Straps

Size Range: One-Hole, 1/4" to 4" / Two-Hole, 1/2" to 4"

## Rigid EMT Steel Straps

- To securely fasten and support Rigid or Intermediate metal conduit to the mounting surface
- For use in wet or dry locations
- Bright electro zinc finish for corrosion protection



### One-Hole Rigid Type

Cat. #	Size	Unit Ctn	Std Pkg	WT/ 100
CSR251	1/4"	100	1000	2
CSR371	3/8"	100	1000	3
CSR501	1/2"	50	500	4
CSR751	3/4"	50	250	5
CSR1001	1"	50	250	8
CSR1251	1-1/4"	25	125	11
CSR1501	1-1/2"	20	100	17
CSR2001	2"	10	50	22
CSER2501	2-1/2"	-	20	42
CSER3001	3"	-	10	49
CSER3501	3-1/2"	-	10	71
CSER4001	4"	-	10	78

\*Made in the USA

### One-Hole BX Type

Cat. #	Size	Unit Ctn	Std Pkg	WT/ 100
CSBX381	12-2, 12-3, 10-2, 10-3	100	1000	1

### Two-Hole Rigid Type

Cat. #	Size	Unit Ctn	Std Pkg	WT/ 100
CSR502*	1/2"	50	500	2
CSR752*	3/4"	50	250	3
CSR1002*	1"	50	250	5
CSR1252*	1-1/4"	25	125	7
CSR1502*	1-1/2"	20	100	12
CSR2002*	2"	10	50	15
CSER2502*	2-1/2"	-	20	17
CSER3002*	3"	-	10	23
CSER3502*	3-1/2"	-	10	26
CSER4002*	4"	-	10	33



Rigid IMC Conduit Fittings





## EMT Steel Straps

- To securely fasten and support EMT metal conduit to the mounting surface
- For use in wet or dry locations
- Bright electro zinc finish for corrosion protection



### One-Hole EMT Type

Cat. #	Size	Unit Ctn	Std Pkg	WT/100
CSE501	1/2"	100	1000	3
CSE751	3/4"	100	500	4
CSE1001	1"	50	250	6
CSE1251	1-1/4"	30	150	9
CSE1501	1-1/2"	25	125	13
CSE2001	2"	20	100	17
CSER2501	2-1/2"	-	20	42
CSER3001	3"	-	10	49
CSER3501	3-1/2"	-	10	71
CSER4001	4"	-	10	78

### One-Hole BX Type

Cat. #	Size	Unit Ctn	Std Pkg	WT/100
CSBX381	12-2, 12-3, 10-2, 10-3	100	1000	1

### Two-Hole EMT Type

Cat. #	Size	Unit Ctn	Std Pkg	WT/100
CSE502	1/2"	100	1000	2
CSE752	3/4"	100	500	3
CSE1002	1"	50	250	3
CSE1252	1-1/4"	30	150	6
CSE1502	1-1/2"	25	125	8
CSE2002	2"	15	75	14
CSER2502	2-1/2"	-	20	17
CSER3002	3"	-	10	23
CSER3502	3-1/2"	-	10	26
CSER4002	4"	-	10	33





Made in the USA Since 1946

EMT CONDUIT:  
Conduit Hangers with Bolts  
Size Range: 3/8" - 1/2" to 4"

## EMT Conduit Hangers with Bolts

- To fasten and secure EMT or rigid conduit to threaded rod, insulator supports, or directly to mounting surface
- Furnished with nut and bolt to accelerate installation
- For use in wet or dry locations
- Bright Electro Zinc finish



## Selection Table

Cat. #	Trade Size	Conduit Size		Unit / CTN	Std / Pkg	WT/100
		Rigid	EMT			
CHBOUS	0	3/8"-1/2"	1/2"	50	250	7
CHB1US	1	3/4"	3/4"	50	250	7
CHB2US	2	1"	1"	25	125	8
CHB25US	2-1/2	-	1-1/4"	20	100	11
CHB3US	3	1-1/4"	1-1/2"	20	100	11
CHB4US	4	1-1/2"	-	10	50	19
CHB5US	5	2"	2"	10	50	22
CHB6US	6	2-1/2"	2 1/2"	-	25	28
CHB7US	7	3"	3"	-	20	31
CHB8US	8	3-1/2"	3-1/2"	-	10	32
CHB9US	9	4"	4"	-	10	37

EMT Conduit Fittings