

**Introducing**

# AMFICO

## The Next Generation of Fittings

# SPEC-*flex*connectors™



Patent Pending

*Does NOT Restrict and Reduce Conduit ID Like "Screw In" Styles*

**The Only Connector that *Easily Installs ON FMC WITHOUT a Tool!***

**TURN IT ON** with  
*SPEC-flex*connectors

1/2", 3/4", 1" Trade Sizes  
Available in Aluminum or Zinc Plated Steel



**AMERICAN FITTINGS**  
Corporation

Since 1946

800.221.5268  
americanfittingscorp.com

Fair Lawn, New Jersey

Saves Labor on Every Connection  
No Screw or Crimp Required to Install  
Simply, Turn It On Your FMC  
No Screws to Pinch or Pierce Conduit  
Maintains Full Integrity of the Conduit  
Exceeds UL Pullout Requirements by 300%  
Fully-Machined Solid Steel or Aluminum  
Count-On a Safe Burr-less Wire Pull  
Connects to Box with Furnished Locknut  
Available With & Without Insulated Throat  
Adapter Available for FMC to Rigid Pipe or EMT

**Made in the USA**

© 2013 AMERICAN FITTINGS



Made in the USA Since 1946

## SPEC-flex connectors™

Installs On FMC with a Few Easy Turns  
 No Tools Required

### Industrial Specification Grade Connector Fittings for Flexible Metal Conduit



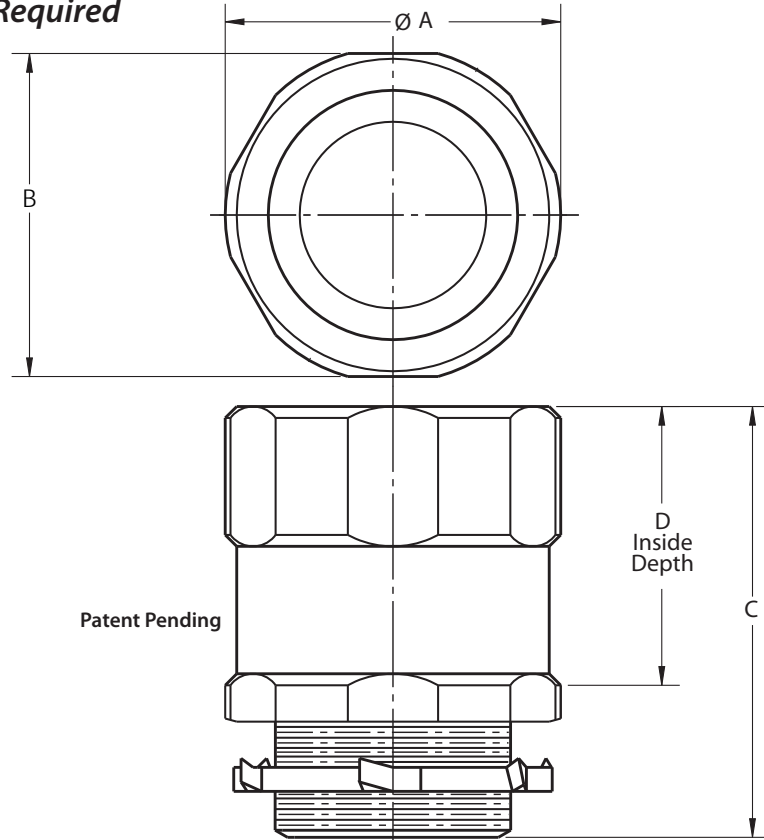
- Saves Labor on Every Connection
- No Screw or Crimp Required to Install
- No Screws to Pinch or Pierce Conduit
- NOT** a Thin Wall Die Cast Fitting
- Maintains Full Integrity of Conduit ID & OD
- Count-On a Safe Burr-less Wire Pull
- Allows More Room Inside Conduit For Wire
- Exceeds UL Pullout Requirements by 300 %
- Fully-Machined Solid Steel or Aluminum



Adapters Available to Connect FMC to Rigid Pipe or EMT

**Made in the USA**  
 Full USA Material Certs for ARRA and Buy American Act

Industrial Grade Locknut Furnished



Patent Pending

Furnished with N.P.S Threads and Industrial Grade Locknut



**Fitting Without Insulated Throat**

| Cat #    | Trade Size | Material | A        | B      | C       | D  |
|----------|------------|----------|----------|--------|---------|----|
| FLX50    | 1/2"       | Steel *  | 1 5/32"  | 1 1/8" | 1 9/16" | 1" |
| FLX50AL  | 1/2"       | Aluminum | 1 5/32"  | 1 1/8" | 1 9/16" | 1" |
| FLX75    | 3/4"       | Steel *  | 1 7/16"  | 1 3/8" | 1 9/16" | 1" |
| FLX75AL  | 3/4"       | Aluminum | 1 7/16"  | 1 3/8" | 1 9/16" | 1" |
| FLX100   | 1"         | Steel *  | 1 11/16" | 1 5/8" | 1 5/8"  | 1" |
| FLX100AL | 1"         | Aluminum | 1 11/16" | 1 5/8" | 1 5/8"  | 1" |

**Fitting With Insulated Throat - B added to Cat #**

| Cat #     | Trade Size | Material | A        | B      | C       | D  |
|-----------|------------|----------|----------|--------|---------|----|
| FLX50B    | 1/2"       | Steel *  | 1 5/32"  | 1 1/8" | 1 9/16" | 1" |
| FLX50BAL  | 1/2"       | Aluminum | 1 5/32"  | 1 1/8" | 1 9/16" | 1" |
| FLX75B    | 3/4"       | Steel *  | 1 7/16"  | 1 3/8" | 1 9/16" | 1" |
| FLX75BAL  | 3/4"       | Aluminum | 1 7/16"  | 1 3/8" | 1 9/16" | 1" |
| FLX100B   | 1"         | Steel *  | 1 11/16" | 1 5/8" | 1 5/8"  | 1" |
| FLX100BAL | 1"         | Aluminum | 1 11/16" | 1 5/8" | 1 5/8"  | 1" |

Consult Factory for Sizes Not Shown

\* Steel is Zinc Plated for Full Corrosion Resistance