



Made in the USA Since 1946

Rigid-IMC Connectors Compression Type - (No Thread)

- Industrial specification grade, screw machined steel, zinc plated
- UL Listed **RAIN TIGHT** and Concrete Tight 1/2" – 2"
- UL Listed Concrete Tight 2-1/2" – 4"



E93605



LR61799

UL rated suitable for hazardous locations
Class I, Div. 2; Class II, Div. 1 and 2;
Class III, Div. 1 and 2; NEC 501-4(b), 505-4(a), 503-3(a)

Rigid Connectors - Compression - (NT)

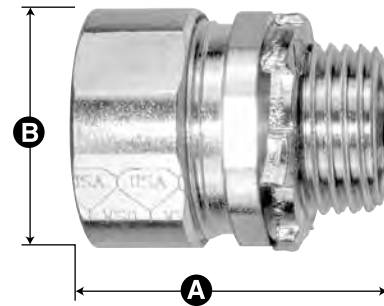
Cat. #	Size	Unit Ctn	Std Pkg	WT/ 100
NT2750	1/2"	25	250	13
NT2751	3/4"	20	100	20
NT2752	1"	5	50	36
NT2753	1-1/4"	5	25	48
NT2754	1-1/2"	5	25	70
NT2755	2"	5	25	100
NT2756 *	2-1/2"	-	5	275
NT2757*	3"	-	3	333
NT2758 *	3-1/2"	-	3	475
NT2759 *	4"	-	2	547
NT2770*	5"	-	1	1100

With Insulated Throat

Cat. #	Size	Unit Ctn	Std Pkg	WT/ 100
NT2750B	1/2"	25	250	13
NT2751B	3/4"	20	100	20
NT2752B	1"	5	50	36
NT2753B	1-1/4"	5	25	48
NT2754B	1-1/2"	5	25	70
NT2755B	2"	5	25	100
NT2756B*	2-1/2"	-	5	275
NT2757B*	3"	-	3	333
NT2758B*	3-1/2"	-	3	475
NT2759B*	4"	-	2	547
NT2770B*	5"	-	1	1100

* Malleable Iron

SPEC-grade



Featuring:
EZ-Torque Compression Nut

Dimensional Table

Cat. #	A Length	B Diameter
NT2750/B	1.35	1.17
NT2751/B	1.48	1.43
NT2752/B	1.58	1.75
NT2753/B	1.86	2.15
NT2754/B	1.94	2.38
NT2755/B	2.49	3.38
NT2756/B	3.88	3.93
NT2757/B	4.00	4.66
NT2758/B	4.31	5.20
NT2759/B	4.50	5.75
NT2770/B	5.00	7.00



Made in the USA Since 1946

Rigid-IMC Connectors Set Screw Type

- Industrial specification grade, screw machined steel, zinc plated
- No thread
- UL Listed Concrete Tight when taped



E93605



LR61799

Rigid Connector (SST)

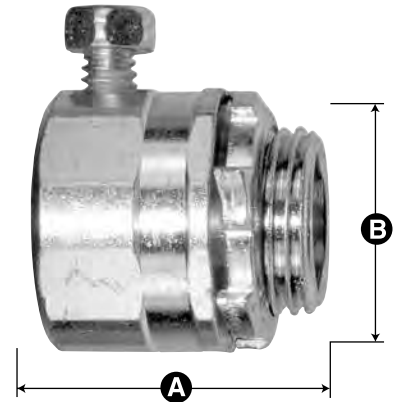
Cat. #	Size	Unit Ctn	Std Pkg	WT/ 100
SNT1750	1/2"	20	200	13
SNT1751	3/4"	20	100	17
SNT1752	1"	5	50	28
SNT1753	1-1/4"	5	25	43
SNT1754	1-1/2"	5	25	55
SNT1755	2"	5	25	70
SNT1756*	2-1/2"	-	6	151
SNT1757*	3"	-	6	192
SNT1758*	3-1/2"	-	3	261
SNT1759*	4"	-	3	295

With Insulated Throat

Cat. #	Size	Unit Ctn	Std Pkg	WT/ 100
SNT1750B	1/2"	20	200	13
SNT1751B	3/4"	20	100	17
SNT1752B	1"	5	50	28
SNT1753B	1-1/4"	5	25	43
SNT1754B	1-1/2"	5	25	55
SNT1755B	2"	5	25	70
SNT1756B*	2-1/2"	-	6	151
SNT1757B*	3"	-	6	192
SNT1758B*	3-1/2"	-	3	261
SNT1759B*	4"	-	3	295

* Malleable Iron

SPEC-grade



Dimensional Table

Cat. #	A Length	B Diameter
SNT1750/B	1.13	1.13
SNT1751/B	1.25	1.38
SNT1752/B	1.50	1.63
SNT1753/B	1.75	2.00
SNT1754/B	1.88	2.25
SNT1755/B	2.00	2.75
SNT1756/B	2.94	3.22
SNT1757/B	3.06	3.84
SNT1758/B	3.38	4.36
SNT1759/B	3.56	4.86



Made in the USA Since 1946

Rigid-IMC Couplings Compression Type - (No Thread)

- Industrial specification grade, screw machined steel, zinc plated
- UL Listed **RAIN TIGHT AND CONCRETE TIGHT** 1/2" – 2"
- UL Listed Concrete Tight 2-1/2" – 4"

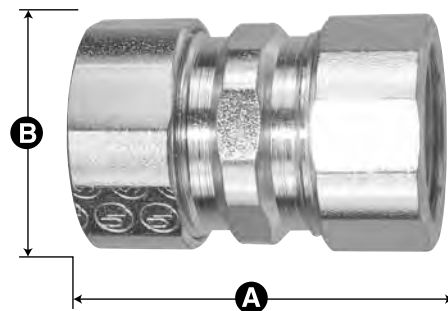


E93605



LR61799

SPEC-grade



Featuring:
EZ-Torque Compression Nut

Rigid Compression Coupling (NT)

Cat. #	Size	Unit Ctn	Std Pkg	WT/ 100
NT2760	1/2"	20	100	16
NT2761	3/4"	20	100	24
NT2762	1"	5	50	48
NT2763	1-1/4"	5	25	64
NT2764	1-1/2"	5	25	110
NT2765	2"	3	15	140
NT2766 *	2-1/2"	-	5	401
NT2767*	3"	-	3	558
NT2768 *	3-1/2"	-	2	718
NT2769 *	4"	-	2	819
NT2780*	5"	-	1	1350

*Malleable Iron

Dimensional Table

Cat. #	A Length	B Diameter
NT2760	1.74	1.17
NT2761	1.82	1.43
NT2762	1.95	1.75
NT2763	2.65	2.15
NT2764	2.70	2.37
NT2765	2.93	3.38
NT2766	5.38	3.93
NT2767	5.63	4.66
NT2768	5.69	5.20
NT2769	5.88	5.75
NT2780	7.00	6.38

Rigid IMC Conduit Fittings



Rigid-IMC Couplings Set Screw Type

- Industrial specification grade, screw machined steel, zinc plated
- No thread
- UL Listed Concrete Tight when taped

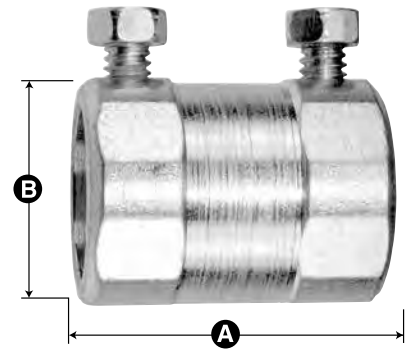


E93605



LR61799

SPEC-grade



Rigid Coupling (SNT)

Cat. #	Size	Unit Ctn	Std Pkg	WT/ 100
SNT1760	1/2"	20	100	19
SNT1761	3/4"	20	100	24
SNT1762	1"	5	50	37
SNT1763	1-1/4"	5	25	65
SNT1764	1-1/2"	5	25	72
SNT1765	2"	3	15	111
SNT1766*	2-1/2"	-	5	166
SNT1767*	3"	-	3	225
SNT1768*	3-1/2"	-	2	260
SNT1769*	4"	-	2	295

Dimensional Table

Cat. #	A Length	B Diameter
SNT1760	1.50	1.13
SNT1761	1.50	1.38
SNT1762	1.88	1.63
SNT1763	2.18	2.00
SNT1764	2.63	2.25
SNT1765	2.75	2.75
SNT1766	3.76	3.22
SNT1767	3.81	3.84
SNT1768	4.63	4.36
SNT1769	4.93	4.86

Rigid IMC Conduit Fittings

* Malleable Iron