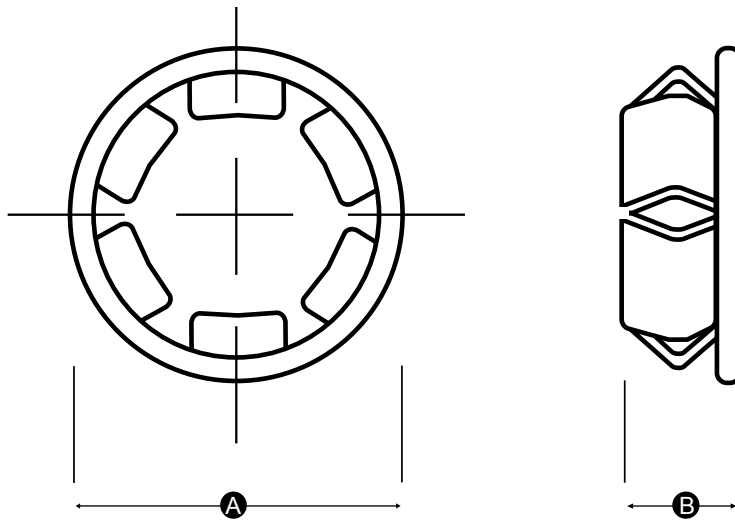




Metal Knockout Seals Industrial Grade Size Range 1/2" to 2"

- Provides a safe and secure closure to unused openings in boxes, pipe, enclosures and panel boards
- One piece construction with locking fingers "snap" into holes with fingertip pressure
- Bright Steel Zinc Plated



Steel Zinc Plated

Cat. #	Size	A OAL	B Ø	Unit Qty	Std. Pkg	Wt./per 100
KOS50	1/2"	1.09"	.39"	100	1000	2
KOS75	3/4"	1.23"	.31"	100	1000	2
KOS100	1"	1.48"	.33"	50	500	3
KOS125	1 1/4"	1.81"	.36"	50	500	3
KOS150	1 1/2"	2.22"	.33"	50	250	4
KOS200	2"	2.68"	.31"	25	125	6

Accessory Knockout Seals