

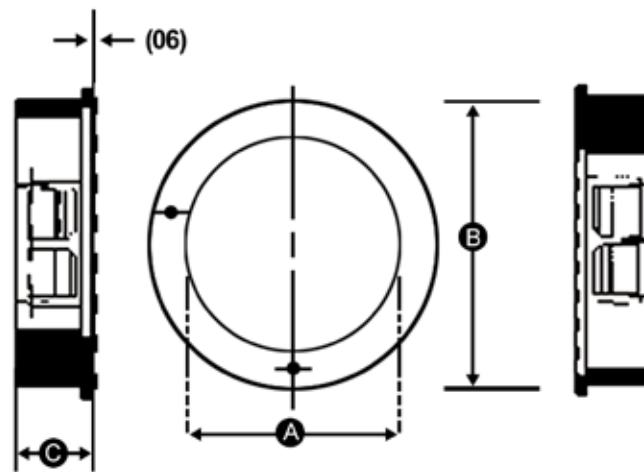


Nylon Knockout Insulated Bushings Size Range 1/2" to 2 1/2"

- Converts pipe and box rough edge holes to smooth neat insulated holes.
- Insulates and mechanically protects wires and cables
- One piece construction with locking fingers "snap" into holes with fingertip pressure
- Material: Type 6/6 Nylon Dupont Zytel® 101
- Rated at 105° Flammability: UL94V-2
- Finish: As Molded
- Color: Black



Note: Zytel is a registered Trademark of The Dupont Company



Nylon Knockout Insulated Bushings

Cat. #	Size	A ID ø	B Head ø	C Height	Unit Qty	Std. Pkg	WT 100
NKB50	1/2"	.750"	.953"	.406"	100	1000	1
NKB75	3/4"	.812"	1.218"	.406"	100	500	1
NKB100	1"	1.00"	1.468"	.463"	50	500	1
NKB125	1 1/4"	1.38"	1.875"	.463"	50	250	1
NKB150	1 1/2"	1.64"	2.125"	.463"	25	125	2
NKB200	2"	1.96"	2.660"	.700"	20	100	3
NKB250	2 1/2"	2.50"	3.200"	.700"	10	50	4

Rigid IMC Conduit Fittings